



Model: WS CONCRETE BOX 407X306

Family: WALL-SMART

DWG NO. 100-4-683-SPC

Model No.: 100-1-683

PRODUCT SPEC.

REVISION B

DATE 23/Sep./2024



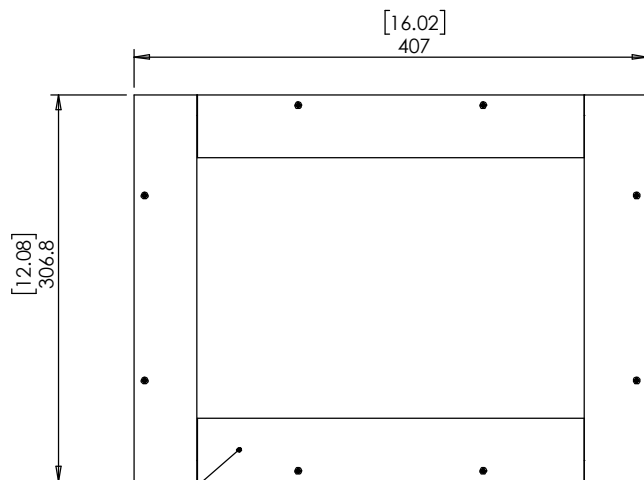
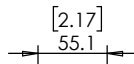
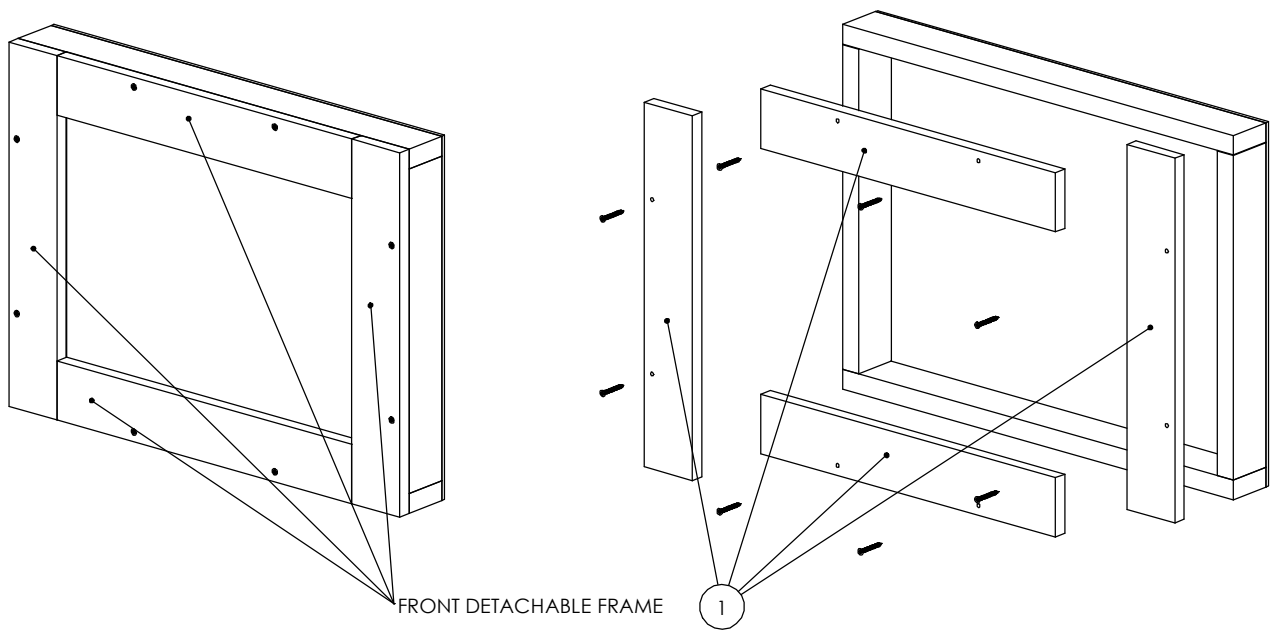
Make Your Wall Smart

WS CONCRETE BOX 407X306

- Designed to support Wall-Smart flush 407x306mm mounts in concrete/brick walls.
- Wall should be plastered up to the front detachable frame (item #1).
- Front detachable frame (item #1) should be removed after the wall was plastered (to be replaced with the adapter).

Key properties:

- Material: MOISTURE RESISTANT MDF
- Dimensions (W/H/D): 407mm (16.02")/ 306.8mm (12.08")/ 55.1mm (2.17")
- Weight: 1.7Kg (3.7lbs)



PLASTER WALL UP TO THIS SURFACE