



Model: WS for C2N-CBF+ASCENT in SOLID BOARD

Family: WALL-SMART

DWG NO. 10-04-826-SPC



Model No.: 10-01-826

PRODUCT SPEC.

REVISION A

DATE 28/Sept./2017

### Make Your Wall Smart

#### “WS for C2N-CBF+ASCENT in SOLID BOARD” - Product description:

The “WS for C2N-CBF+ASCENT in SOLID BOARD” is an adapter for in-wall flush installation of a C2N-CBF+ASCENT keypad in solid board walls.

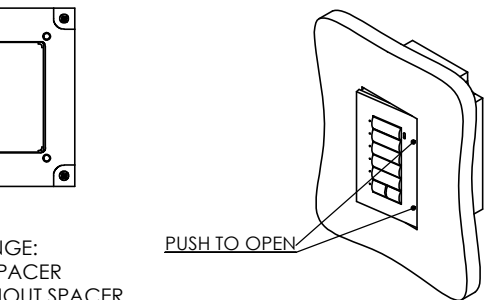
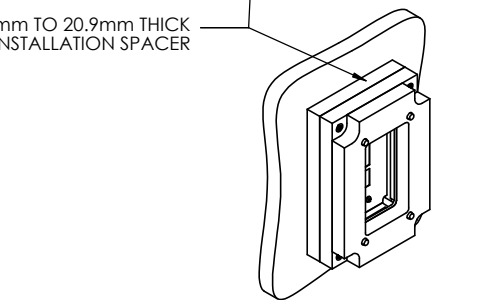
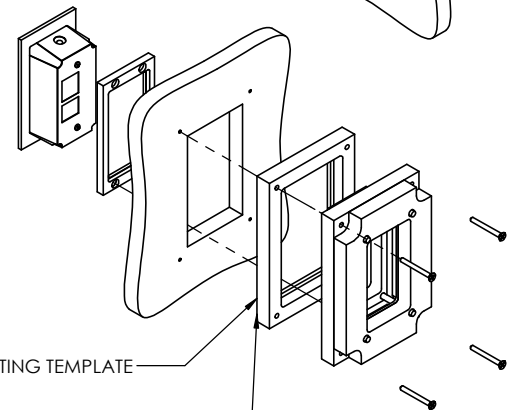
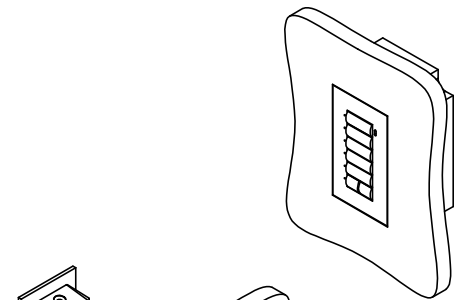
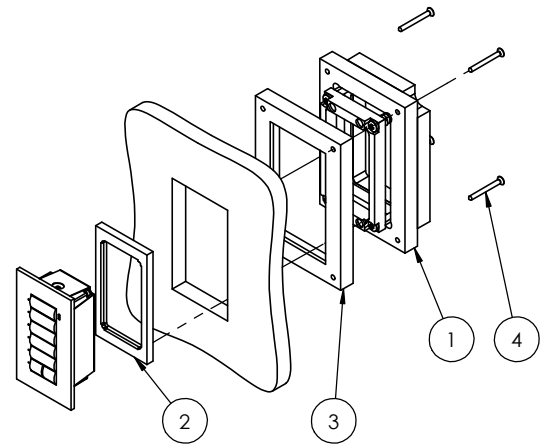
The “WS for C2N-CBF+ASCENT in SOLID BOARD” securely mounts the keypad while allowing easy access, insertion and removal.

#### Key features and benefits:

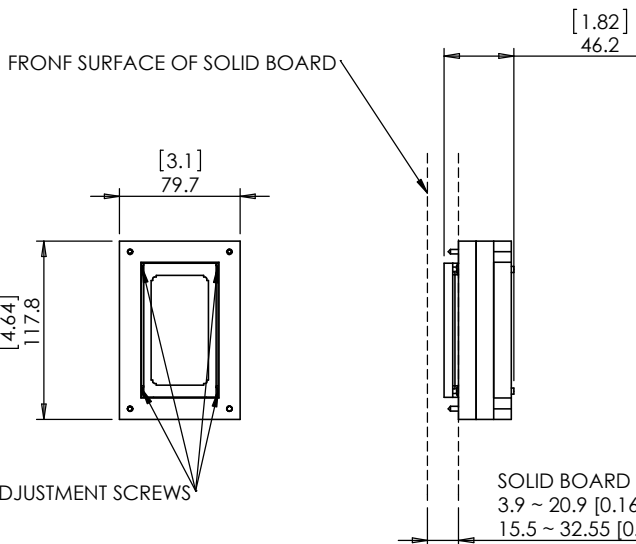
- Flush with the wall.
- Allows easy insertion and removal of the keypad by manual push and magnet detachment.
- Designed to be installed in 3.9 ~ 32.5mm (0.16” ~ 1.28”) thick solid boards.
- Installation adapter contains depth adjustment mechanism.
- Installation kit contain:
  - X1 routing template (item #3)
  - X1 wall adapter (item #1)
  - X1 keypad adapter (item #2)
  - X4 ST3x40 screws (item #4)
- Designed for C2N-CBF keypad with an ASCENT faceplate (by CRESTRON©) (keypad and faceplate are not included).

#### Key properties:

- Dimensions (W/H/D): 46.2mm (1.82”)/ 117.8mm (4.64”)/ 79.7mm (3.1”)
- Power Supply: None (manual adapter).
- Weight: 0.3Kg, 0.6.6lbs.
- Material: Moisture resistant MDF



FOR INSTALLATION IN BOARDS 3.9mm TO 20.9mm THICK USE ROUTING TEMPLATE AS INSTALLATION SPACER



SOLID BOARD THICKNESS RANGE:  
3.9 ~ 20.9 [0.16”~0.82”] WITH SPACER  
1.5.5 ~ 32.55 [0.61”~1.28”] WITHOUT SPACER



Model: WS for C2N-CBF+ASCENT  
in SOLID BOARD

Family: WALL-SMART

DWG NO. 10-04-826-SPC

Model No.: 10-01-826

PRODUCT SPEC.

REVISION A

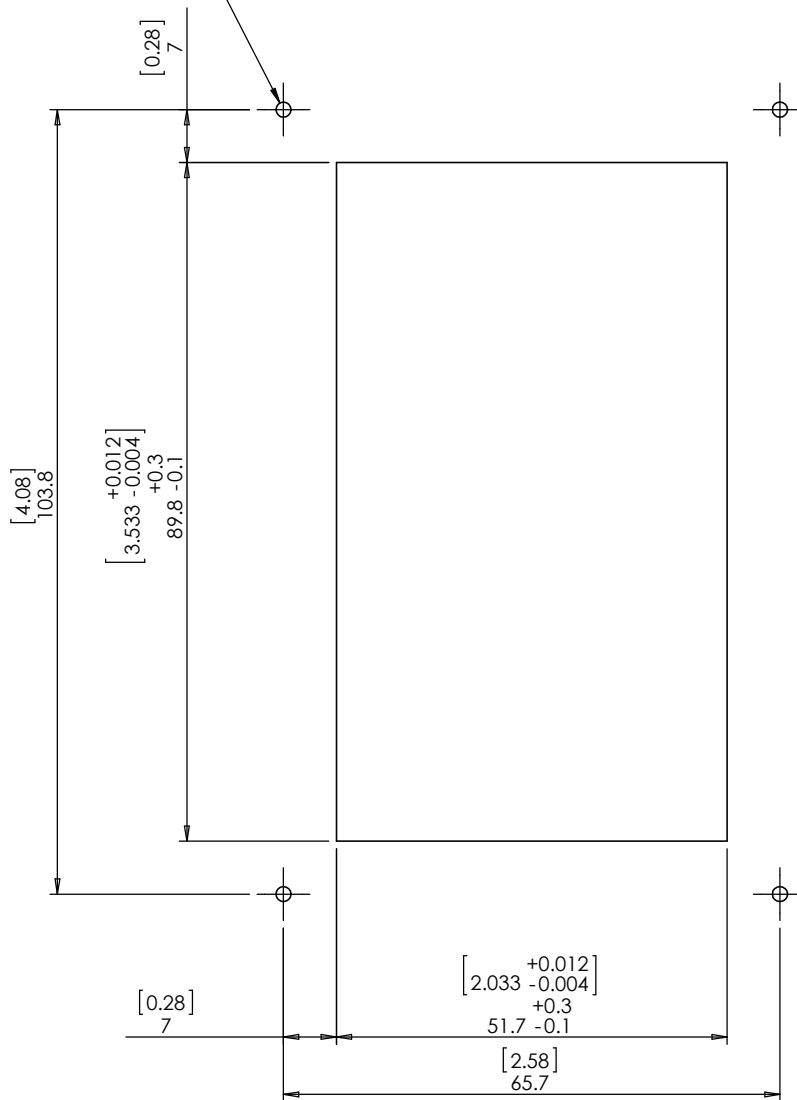
DATE 28/Sept./2017



### ROUTING TEMPLATE

SCALE 1:1

MARK SCREW  
LOCATIONS



<http://www.wall-smart.com/uploads/2/4/1/6/24165207/10-04-826-template.dxf>