



WS RETROFIT FOR URC TKP-5600
Model: BLACK / WHITE / UNPAINTED

Family: WALL-SMART

DWG NO. 10-04-825-SPC



Model No.: 10-01-825-BL/-WH/-WO

PRODUCT SPEC.

REVISION A

DATE 26/Oct./2017

Make Your Wall Smart

“WS RETROFIT FOR URC TKP-5600 BLACK / WHITE / UNPAINTED” - Product description:

The “WS RETROFIT FOR URC TKP-5600 ” is an adapter for in-wall nearly flush retrofit installation of a TKP-5600 touch screen.
The “WS RETROFIT FOR URC TKP-5600 ” securely mounts the TKP-5600 touch screen while allowing easy insertion, removal and operation.

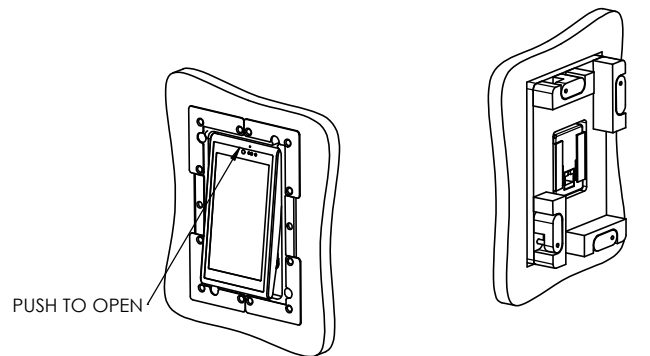
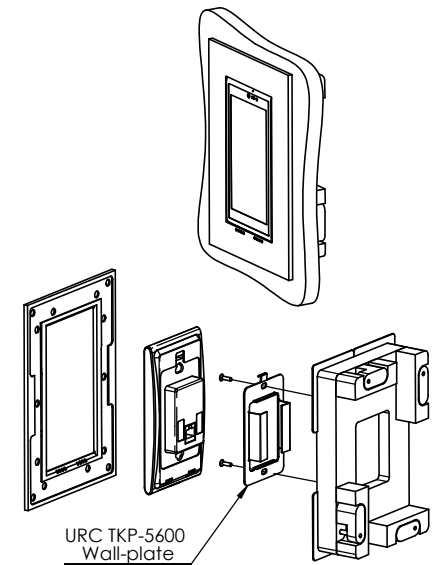
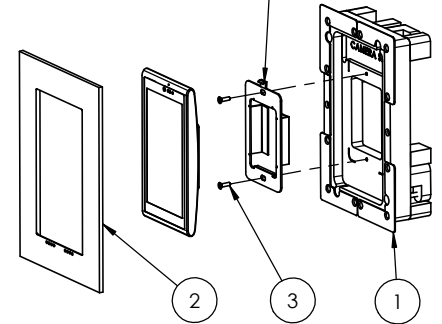
Key features and benefits:

- Nearly flush with the wall (4mm [0.16”] thick on-wall bezel).
- Allows easy insertion and removal of the touch screen.
- Bezel attaches magnetically to the retrofit wall mount base.
- The bezel is supplied painted black (-BL), white (-WH) or unpainted (-WO).
- Designed for the use with TKP-5600 touch screen (by Universal Remote Control, Inc.) (touch panel is not included).
- Adapter kit contains:
 1. (X1) Wall mount base;
 2. (X1) Bezel;
 3. (X2) ST3x12 screws

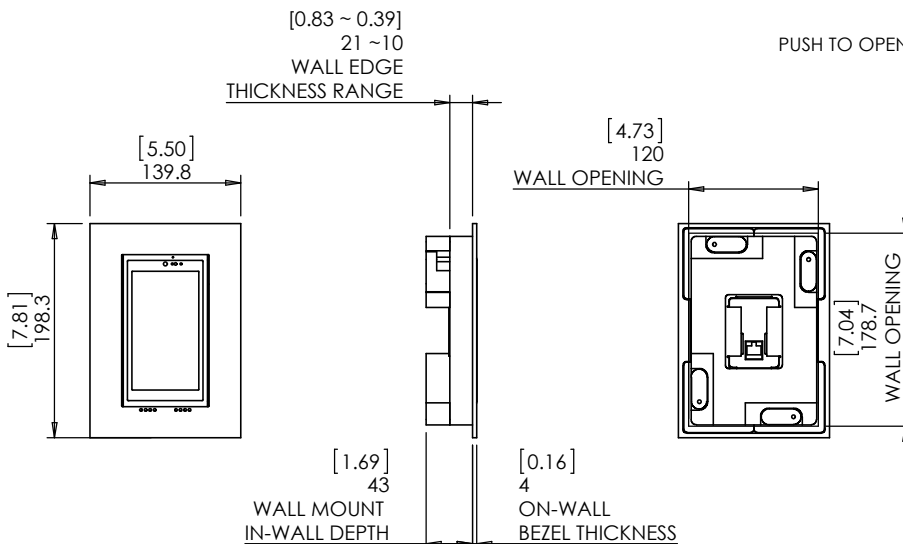
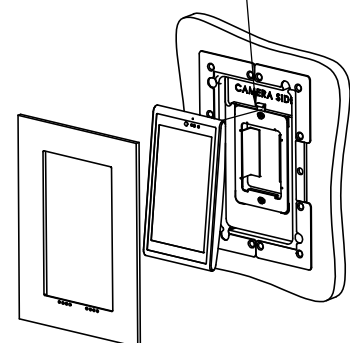
Key properties:

- Dimensions: (W/H/D): 139.8mm (5.5”)/ 198.3mm (7.81”)/ 47mm (1.85”)
- Weight: 1.1Kg, 2.42lbs.
- Material: Moisture resistant MDF

INSTALL THE WALL PLATE WITH THE HOOK ORIENTED TO THE RECESS MARKED “CAMERA SIDE”



TO INSERT THE SCREEN, HOLD THE SCREEN AT A SLIGHT ANGLE AND FIRST ENGAGE THE WALL PLATE HOOK, THEN RELEASE THE SCREEN TO ATTACH MAGNETICALLY





Model: WS RETROFIT FOR URC TKP-5600
BLACK / WHITE / UNPAINTED

Family: WALL-SMART

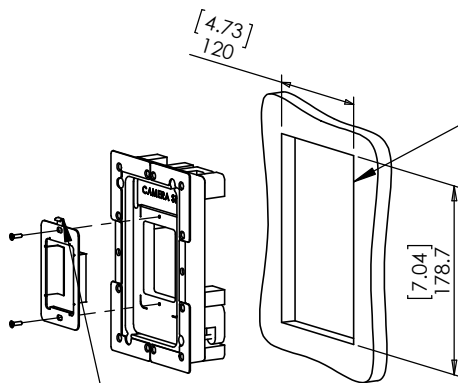
DWG NO. 10-04-825-SPC

Model No.: 10-01-825-BL/-WH/-WO

PRODUCT SPEC.

REVISION A

DATE 26/Oct./2017



1. CUT OPENING - BOARD THICKNESS 10mm [0.39"] UP TO 21mm [0.83"] (FOR BOARDS UP TO 32mm [1.25"] THICK, REINSTALL CAM LATCHES UPSIDE DOWN.

2. ROUTE NECESSARY CABLES

INSTALL THE WALL PLATE WITH THE HOOK ORIENTED TO THE RECESS MARKED "CAMERA SIDE"

3. INSERT WALL MOUNT BASE

4. GENTLY SCREW CLOCKWISE 4 RETENTION SCREWS UNTIL CAM LATCHES RETAIN THE UNIT.

5. ATTACH TOUCH SCREEN
TO INSERT THE SCREEN, HOLD THE SCREEN AT A SLIGHT ANGLE AND FIRST ENGAGE THE WALL PLATE HOOK, THEN RELEASE THE SCREEN TO ATTACH MAGNETICALLY

6. ATTACH BEZEL (MAGNETICALLY)

PUSH TO OPEN