



Model: WS FOR URC TKP-7600

Family: WALL-SMART

DWG NO. 10-04-821-SPC

Model No.: 10-01-821

PRODUCT SPEC.

REVISION A

DATE 17/July/2017



### Make Your Wall Smart

#### WS for PalWintec L500 - Product description:

The "WS for PalWintec L500" is an adapter for in-wall flush installation of a L500 Touch Screen.

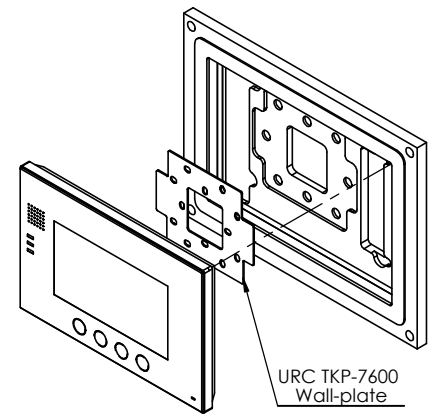
The "WS for PalWintec L500" securely mounts the touch screen while allowing easy access, insertion and removal.

#### Key features and benefits:

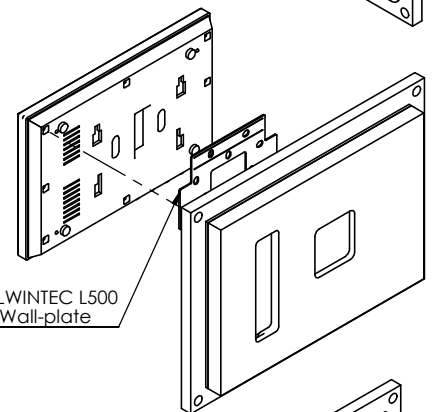
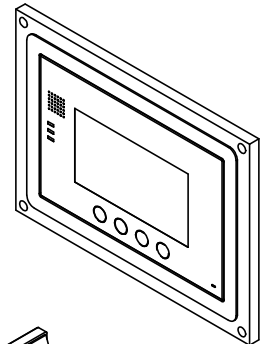
- Flush with the wall.
- Paintable with the wall paint in any color and texture.
- Allows easy insertion and removal of the keypad by manual push and magnet detachment of the Touch Screen.
- The adapter is supplied unpainted (To be painted after installation as part of the wall).
- Designed to be installed in 1/2" drywall. Installation of the Wall-Smart adapter is straight-forward. Installation process is similar to drywall construction procedures. Before installation, read Wall-Smart installation instruction 10-04-00101-INS in <http://www.wall-smart.com/faq>
- For installation in concrete/block wall use "WS Concrete Box 306x228" P/N 10-01-109 (sold separately) according installation instruction 10-04-00103-INS in <http://www.wall-smart.com/faq>
- Designed for the use with L500 Touch Screen (by Palwintec Ltd.) (Touch Screen not included).
- Adapter kit contains:
  1. (X1) Wall adapter;

#### Key properties:

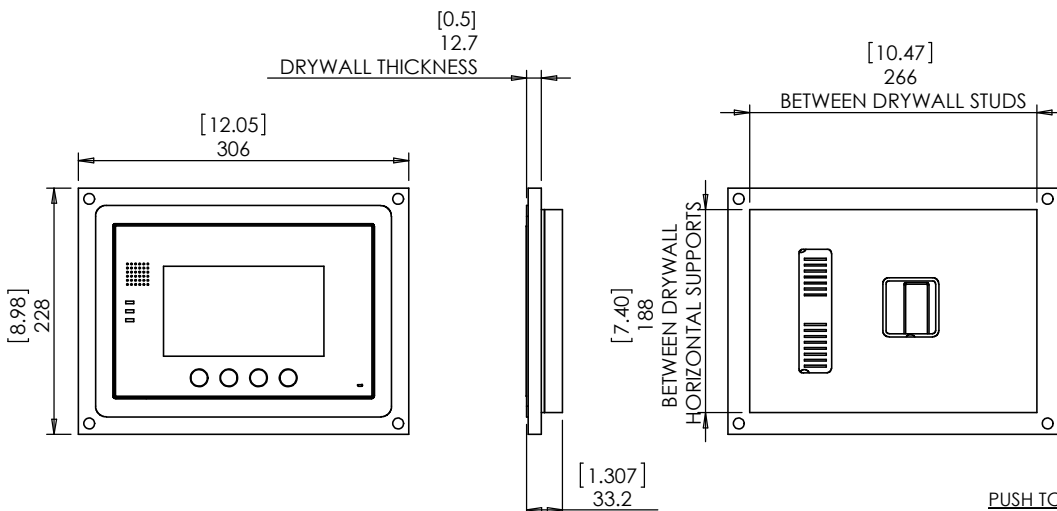
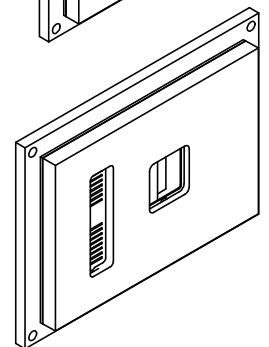
- Dimensions (W/H/D): 306mm (12.05")/ 228mm (8.98")/ 33.2mm (1.31")
- Power Supply: None (manual adapter).
- Weight: 1.5Kg, 3.3lbs.



URC TKP-7600 Wall-plate



PALWINTEC L500 Wall-plate



PUSH TO OPEN