



Model: WS RETROFIT FOR SAMSUNG
TAB A6 10.1" BLACK/WHITE

Model No.: 10-01-811-BL/-WH

Family: WALL-SMART

DWG NO. 10-04-811-SPC

PRODUCT SPEC.

REVISION A

DATE 23/AUG./2017



Make Your Wall Smart

“WS RETROFIT FOR SAMSUNG TAB A6 10.1” BLACK/WHITE” - Product description:

The “WS RETROFIT FOR SAMSUNG TAB A6 10.1” BLACK/WHITE” is an adapter for in-wall nearly flush retrofit installation of Samsung TAB A6 10.1” tablet.

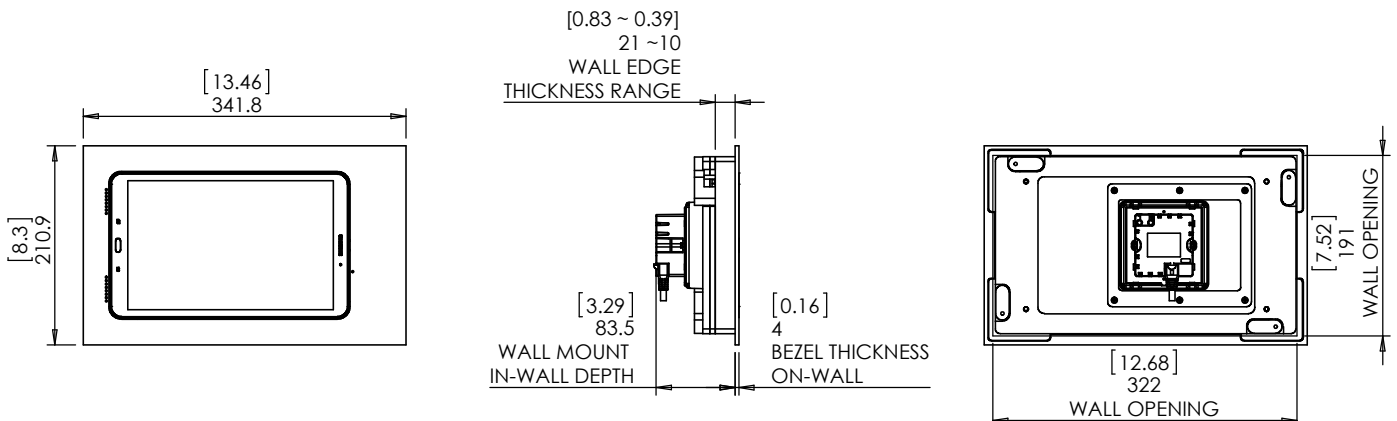
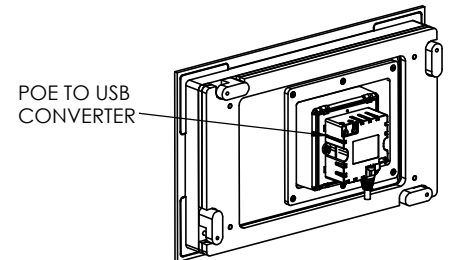
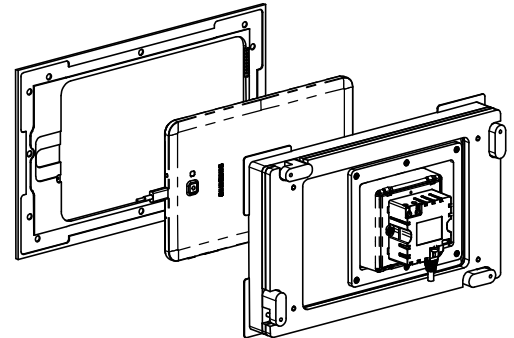
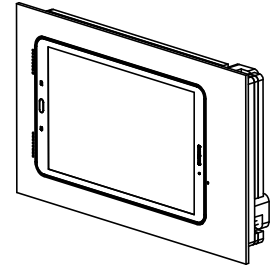
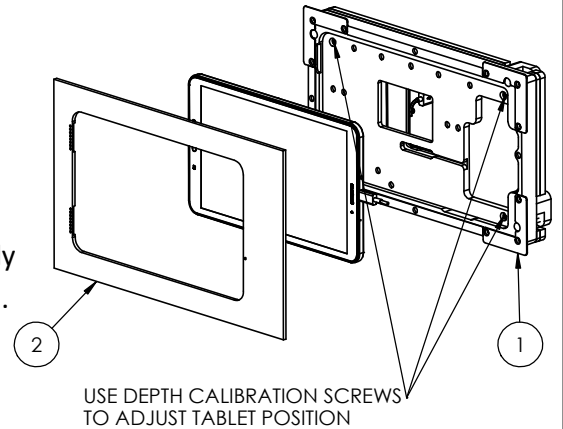
The “WS RETROFIT FOR SAMSUNG TAB A6 10.1” BLACK/WHITE” securely mounts the tablet while allowing easy insertion, removal and operation.

Key features and benefits:

- Nearly flush with the wall (4mm [0.16”] thick on-wall bezel).
- Wall mount may be mounted in any orientation.
- Wall mount contains depth calibration screws.
- Designed for the use with TAB A6 10.1” tablet (by Samsung) (tablet is not included).
- Adapter kit contains:
 1. (X1) Wall adapter;
 2. (X1) Bezel;
- The bezel is supplied painted black (-BL) or white (-WH). The bezel may be custom ordered without paint (-WO)
- The bezel is supplied, by default, with speaker and mic grills. The bezel may be custom ordered without audio grills (add suffix -NG to the part number)

Key properties:

- Dimensions: (W/H/D): 341.8mm (13.46”)/ 210.9mm (8.3”)/ 87.5mm (3.44”)
- Power Supply: Wall mount includes POE to USB converter. The installer should connect the wall mount to an IEEE 802.3af POE power source via CAT5/6 cable and RJ45 connector.
- Weight: 2.8Kg, 6.16lbs.
- Material: Moisture resistant MDF





Model: WS RETROFIT FOR SAMSUNG
TAB A6 10.1" BLACK/WHITE

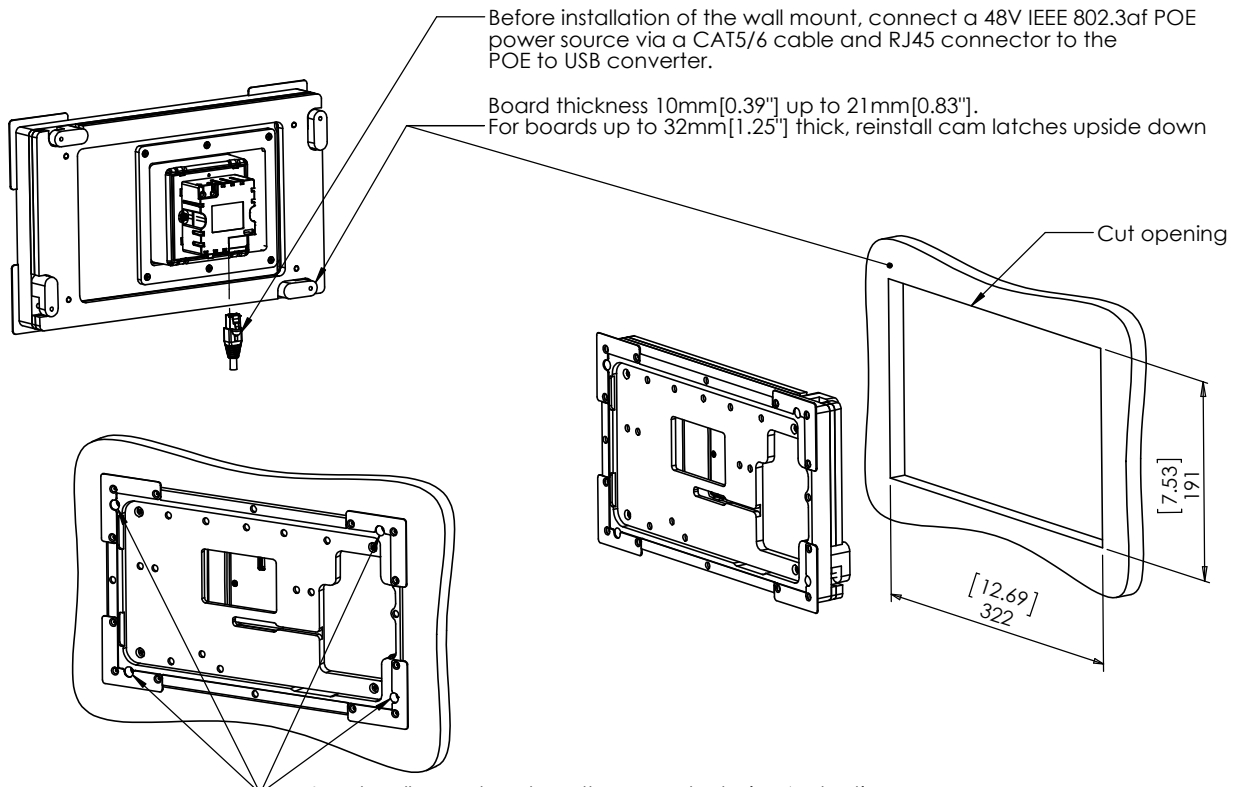
Family: WALL-SMART

DWG NO. 10-04-811-SPC

Model No.: 10-01-811-BL/-WH

PRODUCT SPEC.

REVISION A
DATE 23/AUG./2017



Before installation of the wall mount, connect a 48V IEEE 802.3af POE power source via a CAT5/6 cable and RJ45 connector to the POE to USB converter.

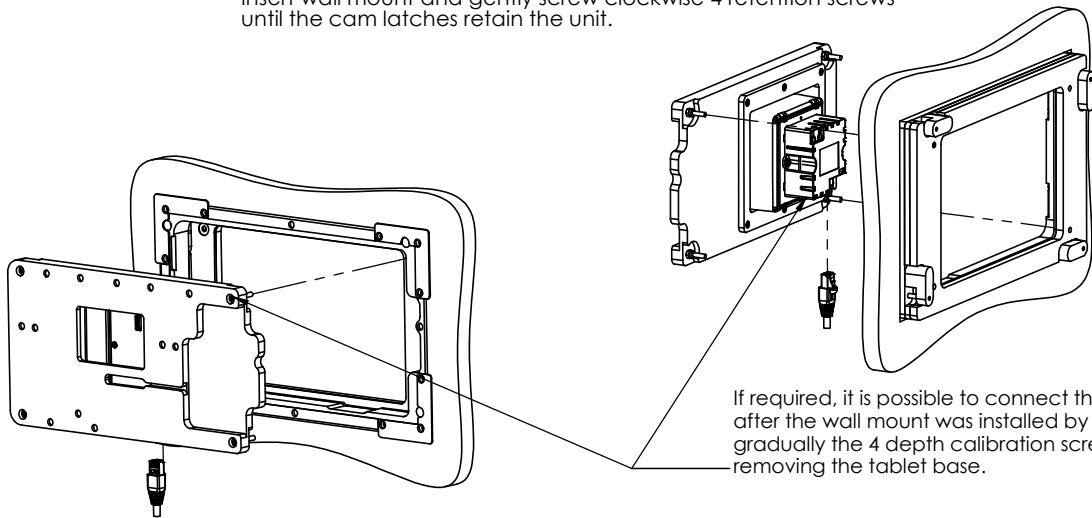
Board thickness 10mm[0.39"] up to 21mm[0.83"].
For boards up to 32mm[1.25"] thick, reinstall cam latches upside down

Cut opening

[7.53]
191

[12.69]
322

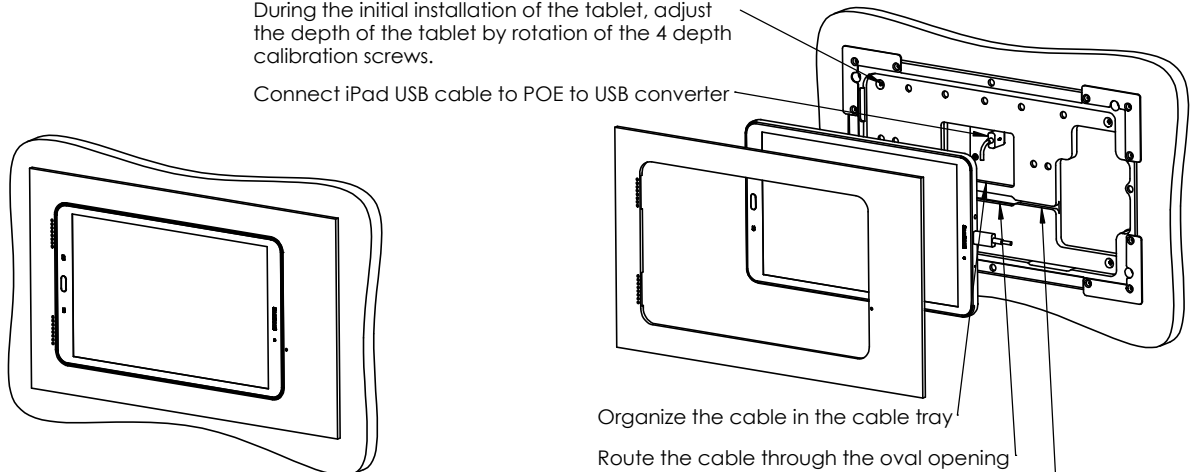
Insert wall mount and gently screw clockwise 4 retention screws until the cam latches retain the unit.



If required, it is possible to connect the POE cable after the wall mount was installed by unscrewing gradually the 4 depth calibration screws and removing the tablet base.

During the initial installation of the tablet, adjust the depth of the tablet by rotation of the 4 depth calibration screws.

Connect iPad USB cable to POE to USB converter



Organize the cable in the cable tray

Route the cable through the oval opening

Wedge the cable in the slit