



Model: WS RETROFIT FOR URC TKP-9600
BLACK / WHITE / UNPAINTED

Family: WALL-SMART

DWG NO. 10-04-776-SPC



Model No.: 10-01-776-BL/-WH/-WO

PRODUCT SPEC.

REVISION A

DATE 6/Nov./2018

Make Your Wall Smart

“WS RETROFIT FOR URC TKP-9600 BLACK / WHITE / UNPAINTED” - Product description:

The “WS RETROFIT FOR URC TKP-9600” is an adapter for in-wall nearly flush retrofit installation of a TKP-9600 touch screen.

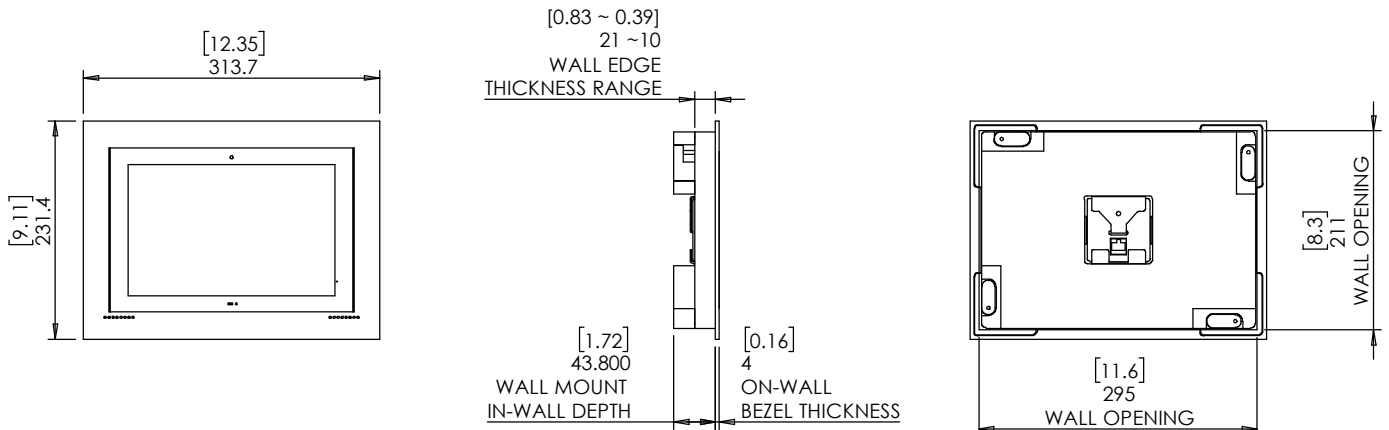
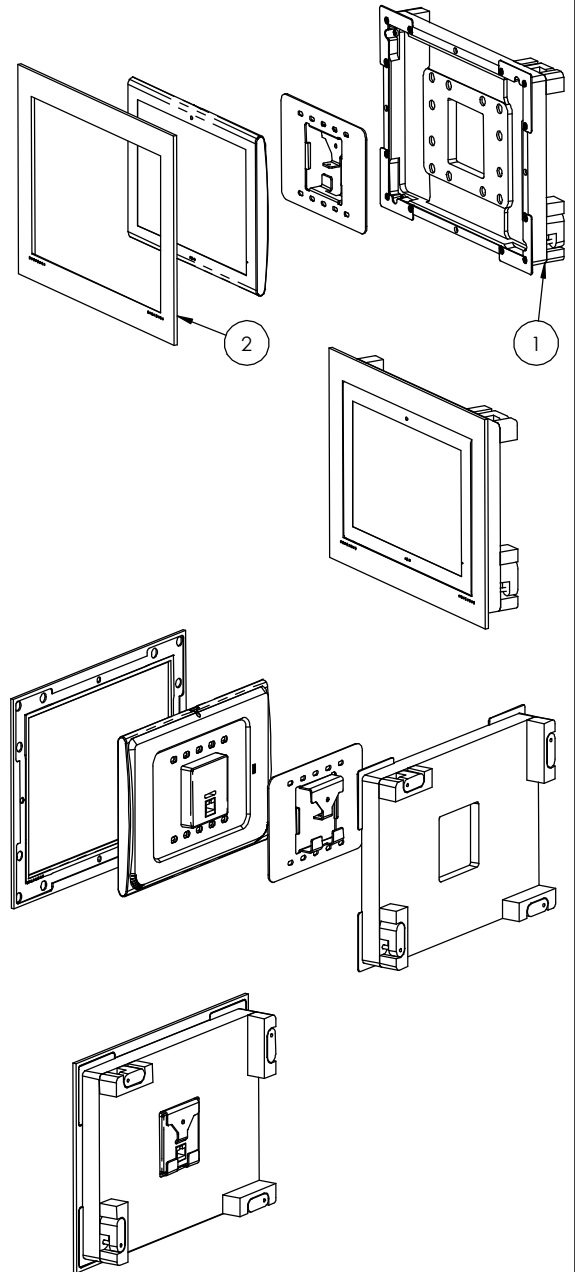
The “WS RETROFIT FOR URC TKP-9600” firmly mounts the TKP-9600 touch screen while allowing easy insertion, removal and operation.

Key features and benefits:

- Nearly flush with the wall (4mm [0.16"] thick on-wall bezel).
- Allows easy insertion and removal of the touch screen.
- Bezel attaches magnetically to the retrofit wall mount base.
- The bezel is supplied painted black (-BL), white (-WH) or unpainted (-WO).
- Designed for the use with TKP-9600 touch screen (by Universal Remote Control, Inc.) (touch panel is not included).
- Adapter kit contains:
 1. (X1) Wall mount base;
 2. (X1) Bezel;

Key properties:

- Dimensions: (W/H/D): 313.7mm (12.35")/ 231.4mm (9.11")/ 47mm (1.85")
- Weight: 0.8Kg, 1.8lbs.
- Material: Moisture resistant MDF





Model: WS RETROFIT FOR URC TKP-9600
BLACK / WHITE / UNPAINTED

Family: WALL-SMART

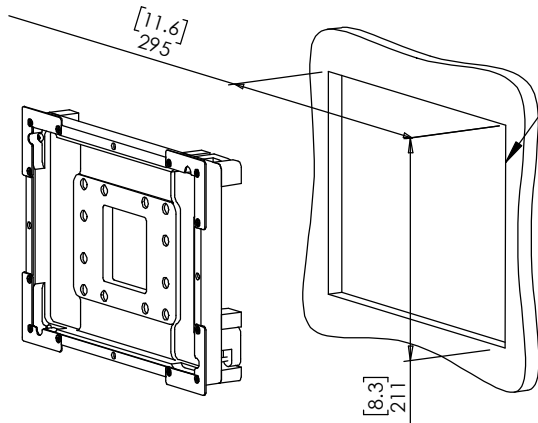
DWG NO. 10-04-776-SPC

Model No.: 10-01-776-BL/-WH/-WO

PRODUCT SPEC.

REVISION A

DATE 6/Nov./2018



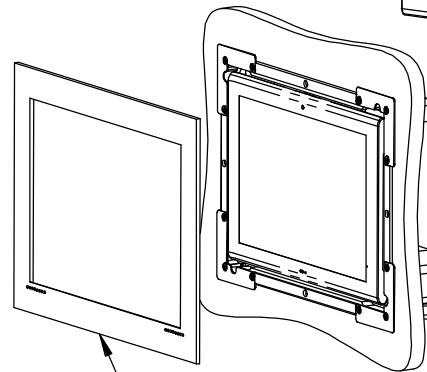
1. CUT OPENING - BOARD THICKNESS 10mm [0.39"] UP TO 21mm [0.83"] (FOR BOARDS UP TO 32mm [1.25"] THICK, REINSTALL CAM LATCHES UPSIDE DOWN.

2. ROUTE NECESSARY CABLES

3. INSERT WALL MOUNT BASE

4. GENTLY SCREW CLOCKWISE 4 RETENTION SCREWS UNTIL CAM LATCHES RETAIN THE UNIT.

5. ATTACH TOUCH SCREEN



6. ATTACH BEZEL (MAGNETICALLY)