



Model: WS NC FOR URC TKP-9600

Family: WALL-SMART

DWG NO. 10-04-775-SPC

Model No.: 10-01-775

PRODUCT SPEC.

REVISION A
DATE 6/Nov./2018



Make Your Wall Smart

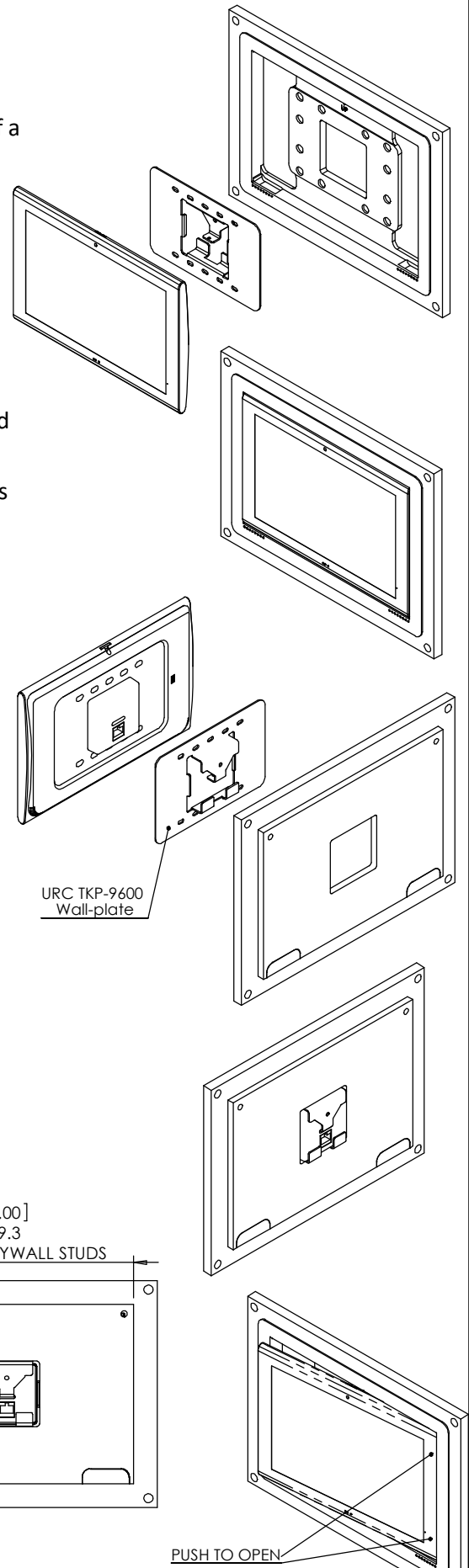
WS NC FOR URC TKP-9600 - Product description:

The "WS FOR URC TKP-7600" is an adapter for in-wall flush installation of a TKP-9600 Touch Screen.

The "WS NC FOR URC TKP-9600" firmly mounts the touch screen while allowing easy access, insertion and removal.

Key features and benefits:

- Nearly flush with the wall.
- Paintable with the wall paint in any color and texture.
- Allows easy insertion and removal of the keypad by manual push and magnet detachment of the Touch Screen tray.
- The adapter is supplied unpainted (To be painted after installation as part of the wall).
- Designed to be installed in 1/2" drywall. Installation of the Wall-Smart adapter is straight-forward. Installation process is similar to drywall construction procedures. Before installation, read Wall-Smart installation instruction 10-04-00101-INS in <http://www.wall-smart.com/faq>
- For installation in concrete/block wall use "WS CONCRETE BOX 333X251" P/N 100-1-772 (sold separately) according installation instruction 10-04-00103-INS in <http://www.wall-smart.com/faq>
- Designed for the use with TKP-9600 Touch Screen (by Universal Remote Control, Inc.) (Touch Screen not included).
- Adapter kit contains: (X1) Wall adapter



Key properties:

- Dimensions (W/H/D): 331.3mm (13.04")/ 249.6mm (9.83")/ 22mm (0.87")
- Power Supply: None (manual adapter).
- Weight: 0.6Kg, 1.32lbs.

