



Model: WS RETROFIT V3 FOR C4 T3 10"
BLACK/WHITE/UNPAINTED

Model No.: 10-01-770-BL/-WH/-WO

Family: WALL-SMART

DWG NO. 10-04-770-SPC

PRODUCT SPEC.

REVISION B

DATE 23/Oct./2017



Make Your Wall Smart

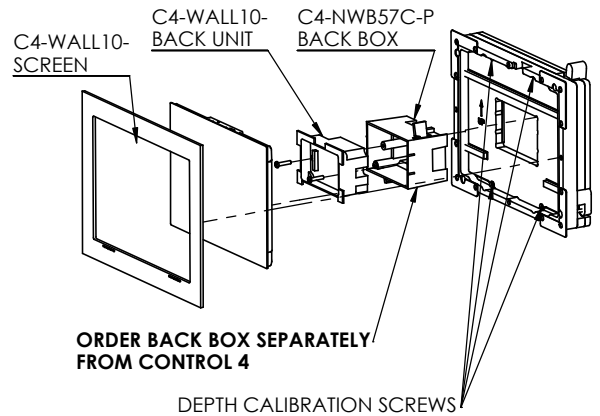
"WS RETROFIT V3 FOR C4 T3 10" BLACK/WHITE/UNPAINTED" -

Product description:

The "WS RETROFIT V3 FOR C4 T3 10" " is an adapter for in-wall nearly flush retrofit installation of C4-WALL10- touch screen. The "WS RETROFIT V3 FOR C4 T3 10" " securely mounts the touch screen while allowing easy insertion, removal and operation.

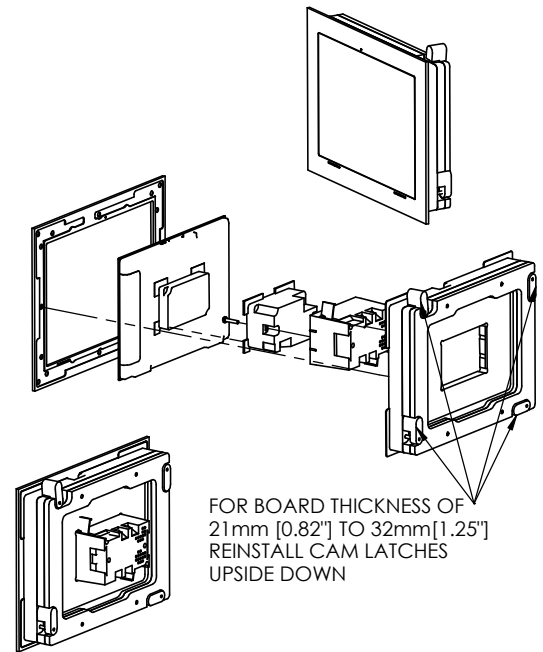
Key features and benefits:

- Nearly flush with the wall (4mm [0.16"] thick on-wall bezel).
- Wall mount contains depth calibration screws.
- Board thickness 10mm[0.39"] up to 21mm[0.83"].
For boards up to 32mm[1.25"] thick, reinstall cam latches upside down.
- Designed for the use with C4-WALL10- touch screen (by Control 4) (touch screen and back box are not included).
- Adapter kit contains:
 - (X1) Wall adapter;
 - (X1) Bezel;
- The bezel is supplied painted black (-BL), white (-WH) or unpainted (-WO).
- The bezel is supplied, by default, with speaker and mic grills. The bezel may be custom ordered without audio grills (add suffix -NG to the part number)



ORDER BACK BOX SEPARATELY FROM CONTROL 4

DEPTH CALIBRATION SCREWS

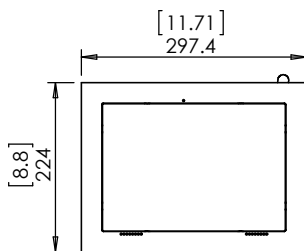
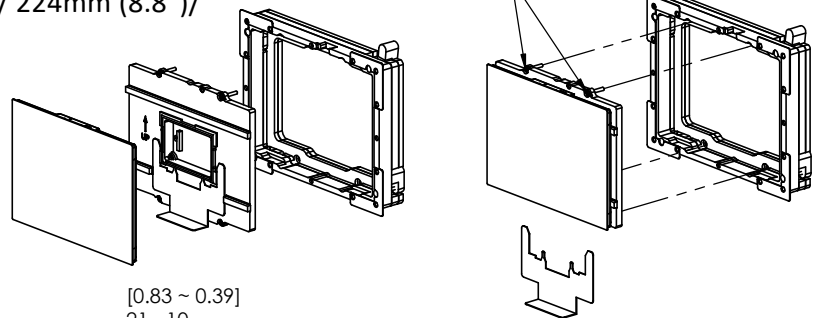


FOR BOARD THICKNESS OF 21mm [0.82"] TO 32mm[1.25"] REINSTALL CAM LATCHES UPSIDE DOWN

Key properties:

- Dimensions: (W/H/D): 297.4mm (11.71")/ 224mm (8.8")/ 47mm (1.85")
- Weight: 2.6Kg, 5.72lbs.
- Material: Moisture resistant MDF

TO REMOVE THE SCREEN, GRADUALLY UNSCREW THE 4 DEPTH CALIBRATION SCREWS



[1.69] 43
[0.83 ~ 0.39] 21 ~ 10
WALL EDGE THICKNESS RANGE

[2.74] 69.6
WALL MOUNT IN-WALL DEPTH
[0.16] 4
BEZEL THICKNESS ON-WALL

