



Model: WS RETROFIT V3 FOR C4 T3 7"
BLACK/WHITE/UNPAINTED

Model No.: 10-01-767-BL/-WH/-WO

Family: WALL-SMART

DWG NO. 10-04-767-SPC

PRODUCT SPEC.

REVISION B

DATE 23/Oct./2017



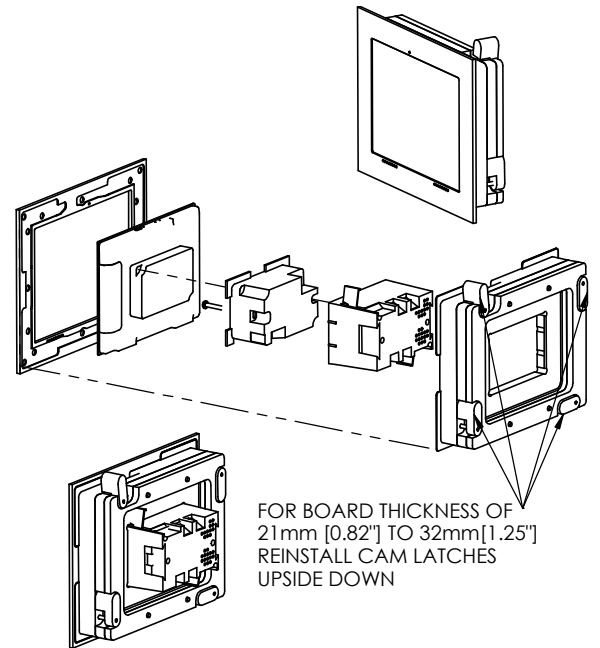
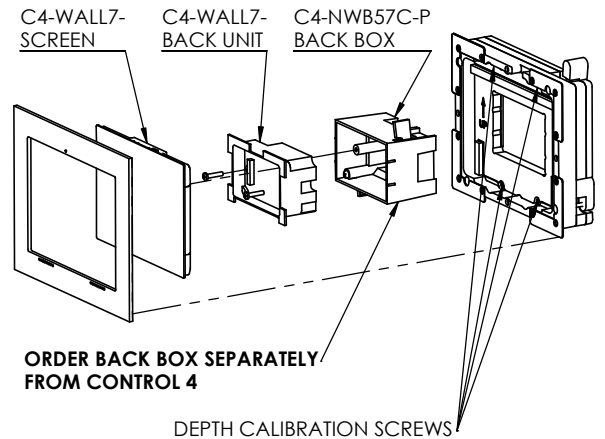
Make Your Wall Smart

“WS RETROFIT V3 FOR C4 T3 7” BLACK/WHITE/UNPAINTED” - Product description:

The “WS RETROFIT V3 FOR C4 T3 7” ” is an adapter for in-wall nearly flush retrofit installation of C4-WALL7- touch screen. The “WS RETROFIT V3 FOR C4 T3 7” ” securely mounts the touch screen while allowing easy insertion, removal and operation.

Key features and benefits:

- Nearly flush with the wall (4mm [0.16”] thick on-wall bezel).
- Wall mount contains depth calibration screws.
- Board thickness 10mm[0.39”] up to 21mm[0.83”]. For boards up to 32mm[1.25”] thick, reinstall cam latches upside down.
- Designed for the use with C4-WALL7- touch screen (by Control 4) (touch screen and back box are not included).
- Adapter kit contains:
 1. (X1) Wall adapter;
 2. (X1) Bezel;
- The bezel is supplied painted black (-BL), white (-WH) or unpainted (-WO).
- The bezel is supplied, by default, with speaker and mic grills. The bezel may be custom ordered without audio grills (add suffix -NG to the part number)



Key properties:

- Dimensions: (W/H/D): 231.1mm (9.1”)/ 180.6mm (7.1”)/ 47mm (1.85”)
- Weight: 2.2Kg, 4.85lbs.
- Material: Moisture resistant MDF

