



Model: WS GLASS MOUNT FOR TSW-760 & -1060

Family: WALL-SMART

DWG NO. 10-04-752-SPC



Model No.: 10-01-752-WH (white)/ -BL (black)

PRODUCT SPEC.

REVISION A

DATE 22/MAY/2018

### Make Your Wall Smart

#### “WS GLASS MOUNT FOR TSW-760 & -1060” - Product description:

The “WS GLASS MOUNT FOR TSW-760 & -1060” is an adapter for in-glass installation of a TSW-760 or TSW-1060 touch screens.

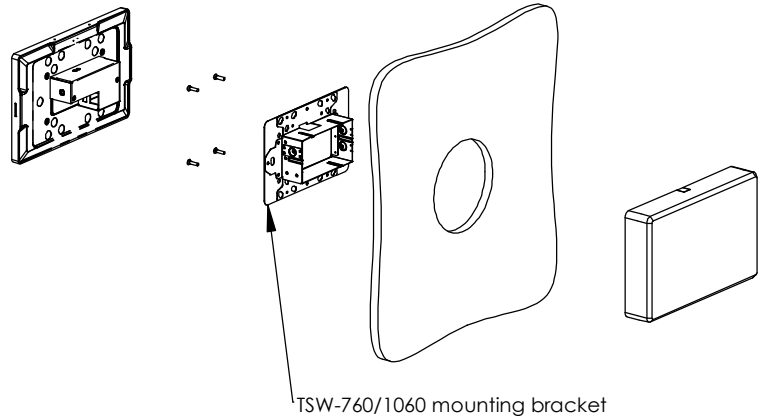
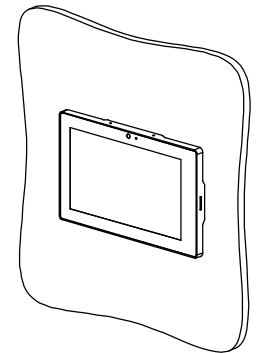
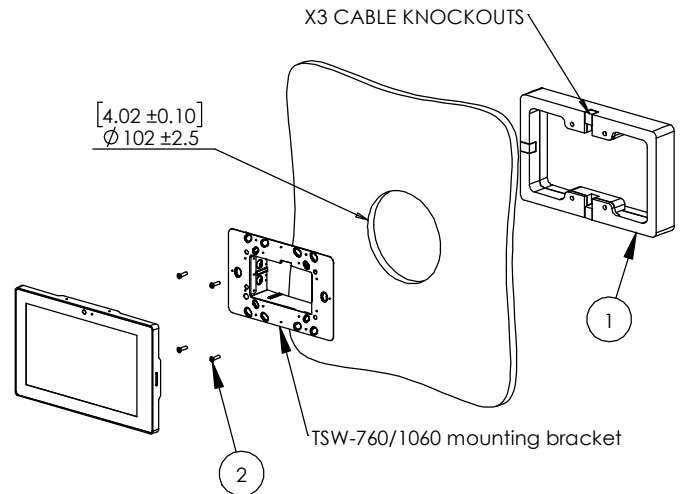
The “WS GLASS MOUNT FOR TSW-760 & -1060” firmly mounts the touch screen while allowing easy insertion, removal and operation.

#### Key features and benefits:

- Allows easy insertion and removal of the touch screen.
- Designed to be installed in board thickness ranging from 4mm [0.157"] up to 16mm [0.63"].
- Designed for the use with Crestron TSW-760 and TSW-1060 touch screens (touch screen is not included).
- Adapter kit contains:
  1. (X1) Back cover;
  2. (X4) M4x25 screws;

#### Key properties:

- Dimensions: (W/H/D): 190mm (7.48")/ 118.5mm (4.67")/ 33.2mm (1.31")
- Weight: 0.2Kg, 0.44lbs.
- Material: Moisture resistant MDF



[0.157"] ~ [0.63"]  
4 ~ 16  
GLASS THICKNESS RANGE

