



Model: WS FOR TSD-2220 - NEW CONSTRUCTION

Family: WALL-SMART

DWG NO. 10-04-715-SPC



Model No.: 10-01-715

PRODUCT SPEC.

REVISION B

DATE 4/May/2017

Make Your Wall Smart

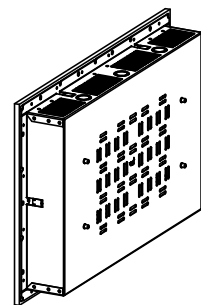
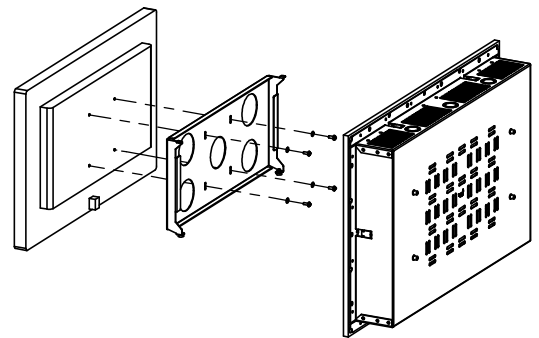
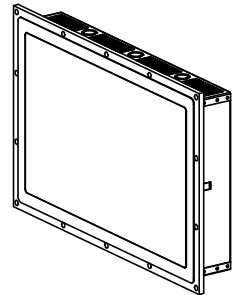
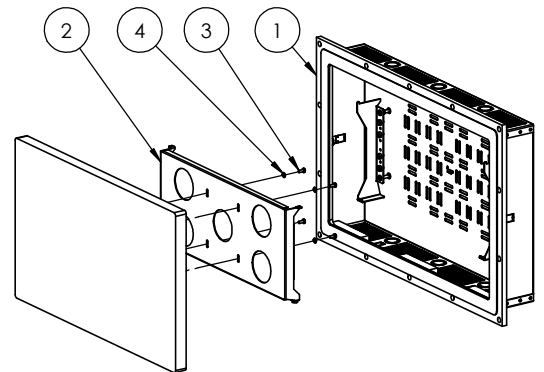
“WS FOR TSD-2220 - NEW CONSTRUCTION” - Product description:

The “WS FOR TSD-2220 - NEW CONSTRUCTION” is an adapter for in-wall flush installation of TSD-2220 touch screen.

The “WS FOR TSD-2220 - NEW CONSTRUCTION” securely mounts the touch screen while allowing easy insertion, removal and operation.

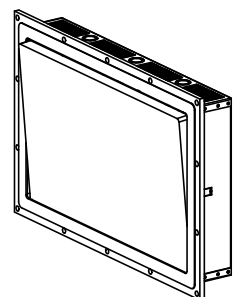
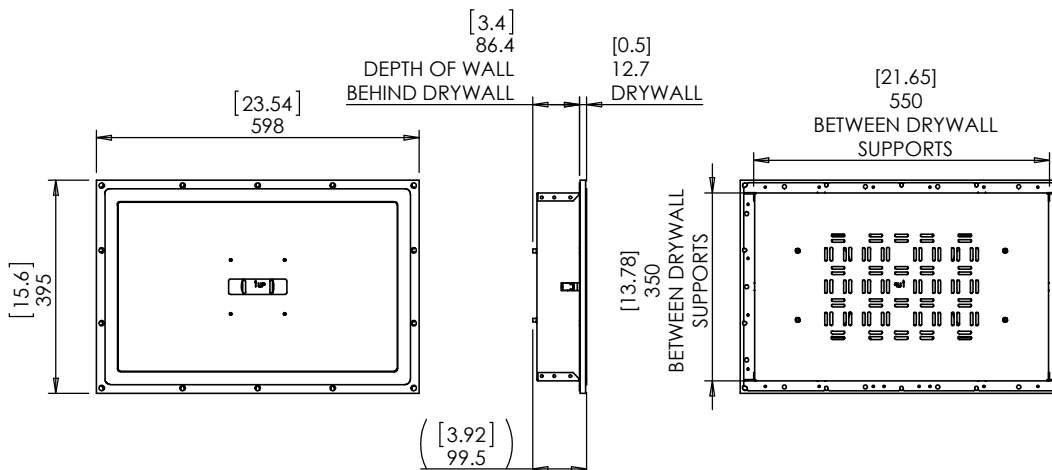
Key features and benefits:

- Flush with the wall.
- Wall mount supplied **without** speaker grills. Screen speakers facing the rear of the screen.
- Paintable with the wall paint in any color and texture.
- Allows easy insertion and removal of the touch screen.
- The adapter is supplied unpainted (To be painted after installation as part of the wall).
- Designed to be installed in ½” drywall. Installation of the Wall-Smart adapter is straight-forward. Installation process is similar to drywall construction procedures.
- For installation in concrete/block wall use “WS CONCRETE ADAPTER FOR TSD-2220 WALL MOUNT” P/N 10-01-727 (sold separately) according to installation instruction 10-04-00103-INS in <http://www.wall-smart.com/faq>
- Designed for the use with TSD-2220 (by CRESTRON) (touch screen is not included).
- Adapter kit contains:
 1. (X1) Wall adapter;
 2. (X2) Screen adapter;
 3. (X4) M4x10 screws
 4. (X4) M4 flat washer



Key properties:

- Dimensions: (W/H/D): 598mm (23.54")/ 395mm (15.6") / 99.5mm (3.95")
- Weight: 4.2Kg (9.2lbs).
- Material: Zinc plated carbon steel and Moisture resistant MDF
- To be installed in ½” drywall (for installation in 5/8” drywall use x2 1/8” shim packs P/N 10-01-067 (sold separately)).





Model: WS FOR TSD-2220 - NEW CONSTRUCTION

Family: WALL-SMART

DWG NO. 10-04-715-SPC

Model No.: 10-01-715

PRODUCT SPEC.

REVISION B

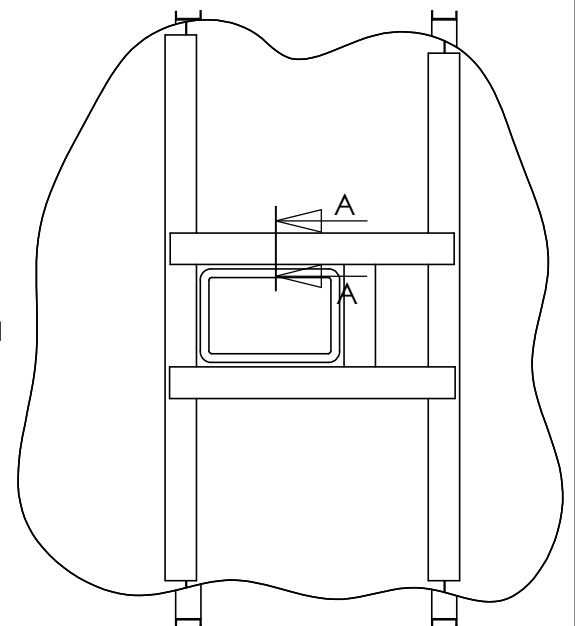
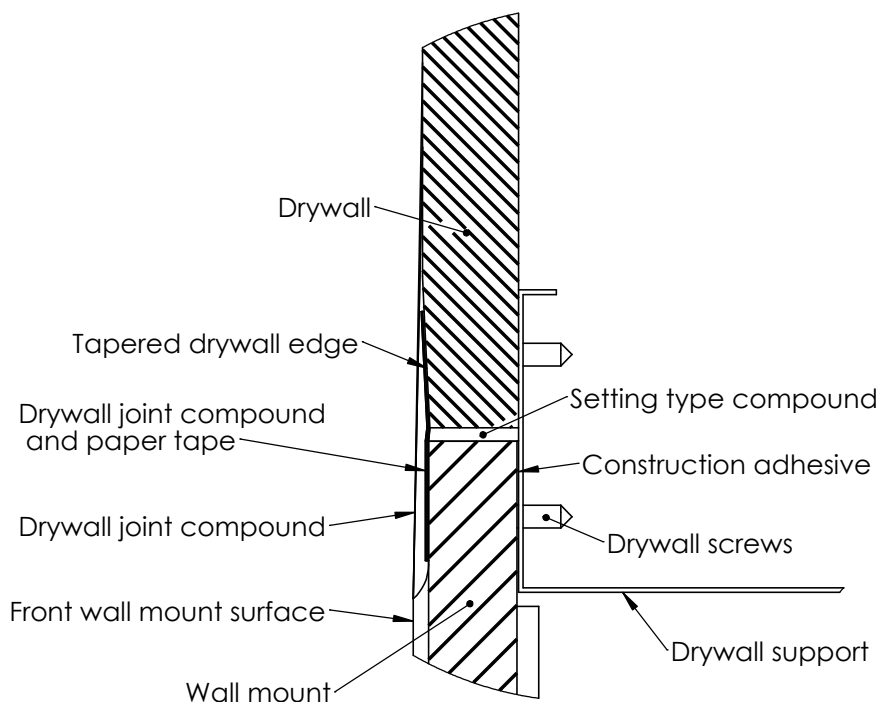
DATE 4/May/2017



Wall mount installation in drywall:

- Before installing the wall mount, make sure that appropriate cables are routed to the installation area.
- Width between drywall studs (vertical drywall supports) should be 550mm [21.65"]. Height between horizontal supports: 350mm [13.78"]
- Make sure the adaptor is installed on firm supports. A good practice would be to apply construction adhesive between adapter and supports.
- The wall mount is supplied with a protective plug covering the front wall mount opening. Remove plug only after finished painting.
- Perform at least level 4 drywall finish per ASTM C 840.
- In case of level 5 finish (skim coat), mask adaptor opening during skim coat application and sand adaptor front surface until front adaptor edge is visible clean green.
- The wall mount was designed for 1/2" drywall. In case the wall-mount should be installed in 5/8" drywall, you may use "WS 1/8" Shim pack" P/N 10-01-067 (sold separately).

- Apply setting-type compound to gaps between adapter and drywall.
- Apply fine premixed drywall joint compound and drywall paper tape (**not a mesh tape**).
- Avoid applying joint compound to the wall mount front surface. Sand off joint compound covering front wall mount surface.
- Let the setting-type compound and joint compound + paper tapes dry overnight.
- Apply 1st drywall joint compound layer and let dry overnight.
- Apply 2nd drywall joint compound layer and let dry overnight.
- In some cases, a 3rd drywall joint compound layer is required for touch-up.
- Avoid heating installation point by blowers. Let joint compound dry in ambient room temperature.
- Avoid washing the wall during installation. Damp cloth may be used to clean the area.
- Sand adaptor and drywall compound using fine sand paper until front surface of the adaptor is visible clean green.
- Avoid spray painting. Do not paint internal surfaces.
- Before inserting the touch, screen clean the wall mount internal surfaces of any joint compound or paint.





Model: WS FOR TSD-2220 - NEW CONSTRUCTION

Family: WALL-SMART

DWG NO. 10-04-715-SPC

Model No.: 10-01-715

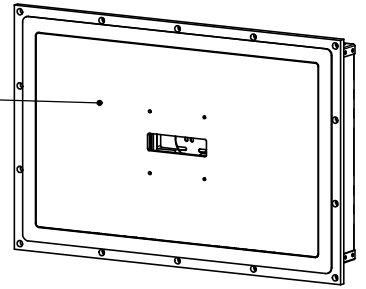
PRODUCT SPEC.

REVISION B

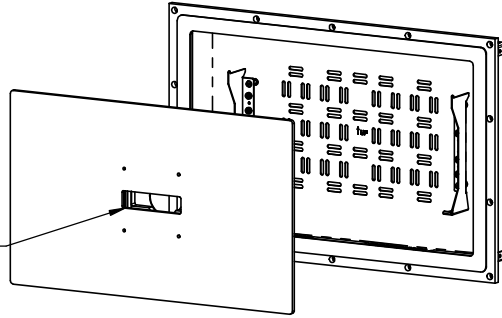
DATE 4/May/2017



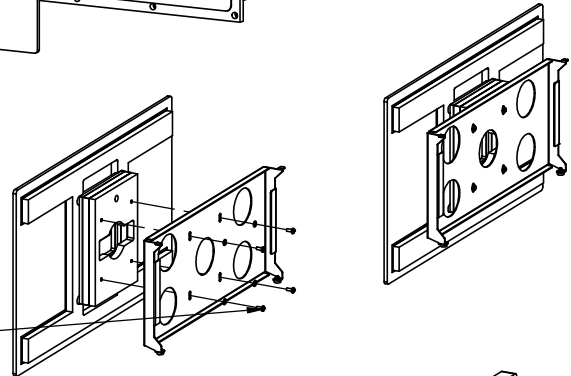
WALL MOUNT SUPPLIED WITH PAINT PLUG.
PAINT PLUG DIMENSIONS ARE IDENTICAL TO
TSD-2220 SCREEN AND IT IS FACTORY PRE CALIBRATED
TO THE CORRECT SCREEN POSITION.



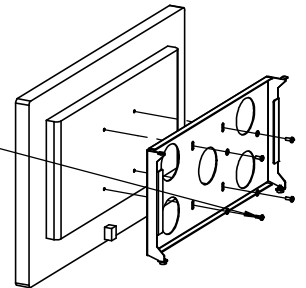
AFTER INSTALLING THE WALL MOUNT
OPEN THE PAINT PLUG BY PULLING THE
PAINT PLUG HANDLE



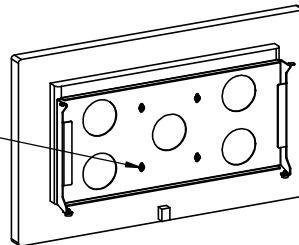
DISASSEMBLE THE PAINT PLUG BY
UNSCREWING 4 M4 SCREWS



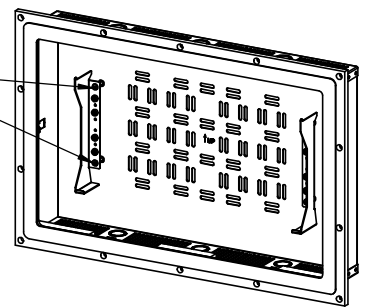
INSTALL SCREEN USING 4 M4X10 SCREWS AND 4 M4 WASHERS (INCLUDED)
(DO NOT TIGHTEN THE SCREWS)



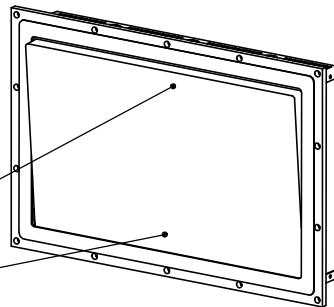
IF REQUIRED, CALIBRATE VERTICAL POSITION OF THE
SCREEN BY ADJUSTING POSITION OF THESE 4 SCREWS.



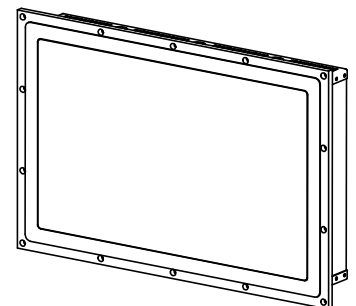
IF REQUIRED, CALIBRATE SCREEN DEPTH BY ROTATING THESE 4 SCREWS ON BOTH
SIDES OF THE SCREEN.



TO **INSERT** THE SCREEN
INSERT THE BOTTOM EDGE OF THE SCREEN IN TO THE MOUNT AND THEN
PUSH IN THE TOP.



TO **REMOVE** THE SCREEN
PUSH IN THE BOTTOM EDGE OF THE SCREEN AND THEN PULL UP AND OUT
THE TOP OF THE SCREEN.





Model: WS FOR TSD-2220 - NEW CONSTRUCTION

Family: WALL-SMART

DWG NO. 10-04-715-SPC

Model No.: 10-01-715

PRODUCT SPEC.

REVISION B
DATE 4/May/2017

