



Model: WS FOR URC TKP-7600

Family: WALL-SMART

DWG NO. 10-04-707-SPC



Model No.: 10-01-707

PRODUCT SPEC.

REVISION A

DATE 17/July/2017

Make Your Wall Smart

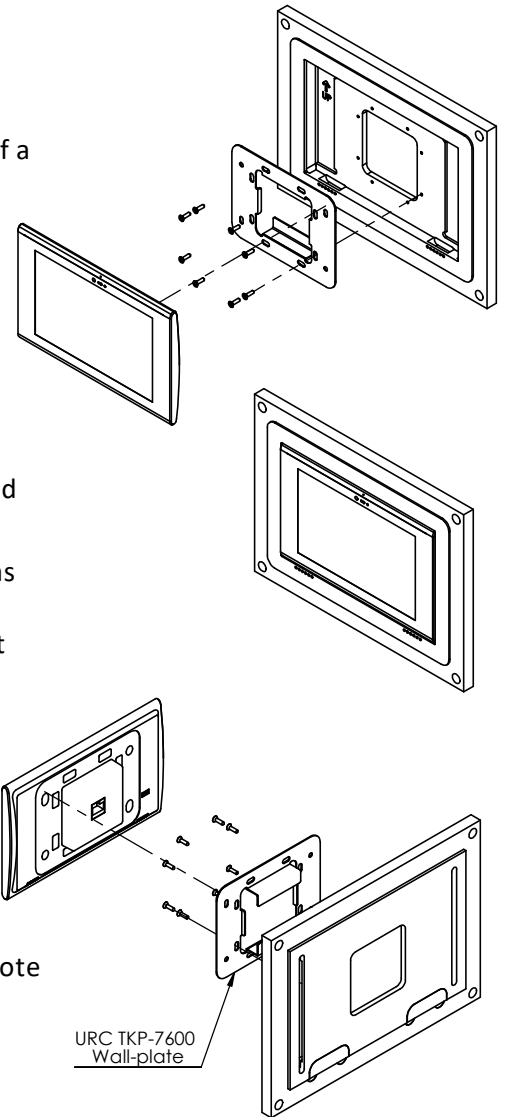
WS FOR URC TKP-7600 - Product description:

The "WS FOR URC TKP-7600" is an adapter for in-wall flush installation of a TKP-7600 Touch Screen.

The "WS FOR URC TKP-7600" securely mounts the touch screen while allowing easy access, insertion and removal.

Key features and benefits:

- Flush with the wall.
- Paintable with the wall paint in any color and texture.
- Allows easy insertion and removal of the keypad by manual push and magnet detachment of the Touch Screen tray.
- The adapter is supplied unpainted (To be painted after installation as part of the wall).
- Designed to be installed in 1/2" drywall. Installation of the Wall-Smart adapter is straight-forward. Installation process is similar to drywall construction procedures. Before installation, read Wall-Smart installation instruction 10-04-00101-INS in <http://www.wall-smart.com/faq>
- For installation in concrete/block wall use "WS Concrete Box 202X275" P/N 10-01-806 (sold separately) according installation instruction 10-04-00103-INS in <http://www.wall-smart.com/faq>
- Designed for the use with TKP-7600 Touch Screen (by Universal Remote Control, Inc.) (Touch Screen not included).
- Adapter kit contains:
 1. (X1) Wall adapter;
 2. (X8) ST3X12 SCREWS



Key properties:

- Dimensions (W/H/D): 273.9mm (10.78")/ 200.8mm (7.91")/ 16.7mm (0.65")
- Power Supply: None (manual adapter).
- Weight: 0.38Kg, 0.84lbs.

