



Model: WS FOR CONTROL4 T3 7"
- SOLID SURFACE
- BLACK / WHITE (-BL / -WH)

Model No.: 10-01-669

Family: WALL-SMART

DWG NO. 10-04-669-SPC

REVISION A

DATE 10/Oct./2017

PRODUCT SPEC.



Make Your Wall Smart

“WS FOR CONTROL4 T3 7” - SOLID SURFACE” - Product description:

The “WS FOR CONTROL4 T3 7” - SOLID SURFACE” is an adapter for in-wall flush installation of a C4-WALL7- touch screen in solid board walls.

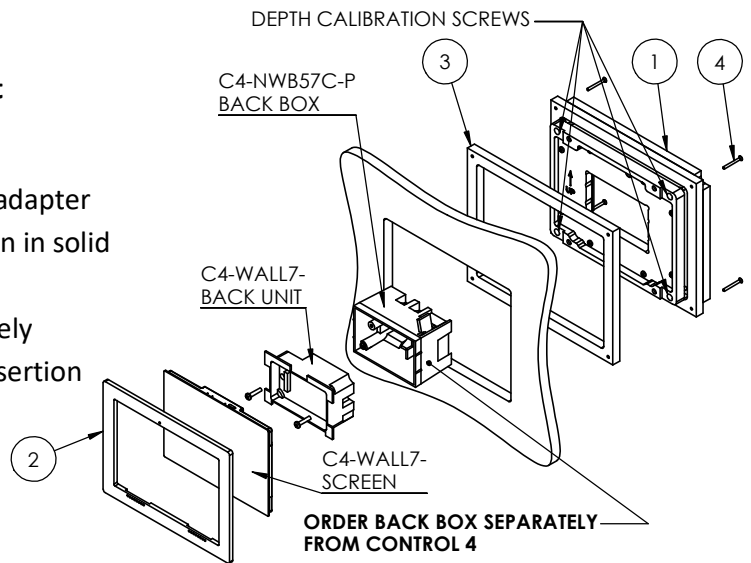
The “WS FOR CONTROL4 T3 7” - SOLID SURFACE” securely mounts the touch screen while allowing easy access, insertion and removal.

Key features and benefits:

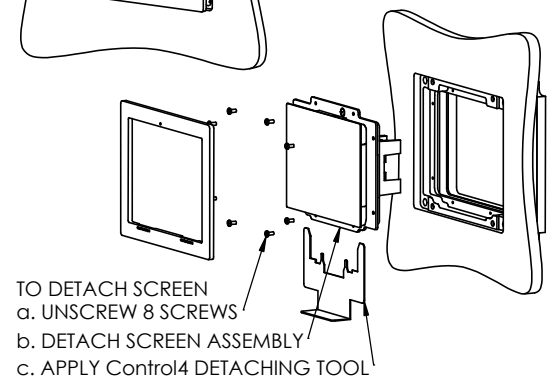
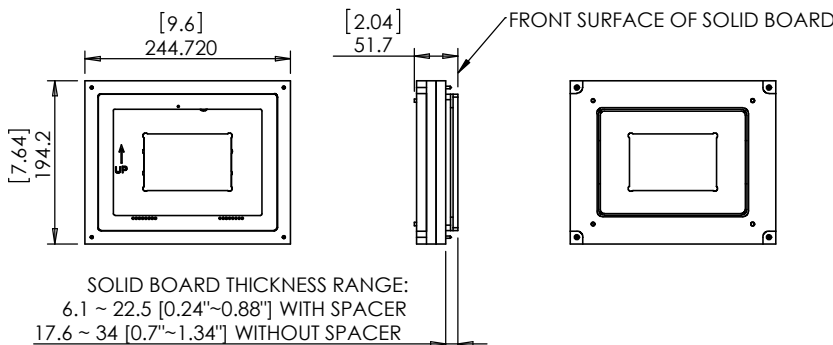
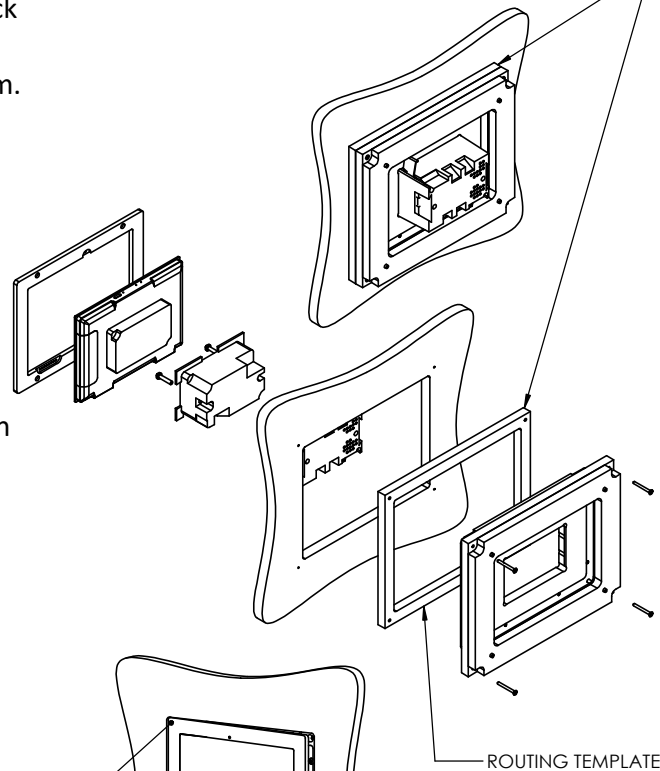
- Flush with the wall.
- Allows easy insertion and removal of the touch screen.
- Designed to be installed in 6.1 ~ 34mm (0.24” ~ 1.34”) thick solid boards.
- Installation adapter contains depth adjustment mechanism.
- Installation kit contain:
X1 installation adapter (item #1)
X1 Bezel (item #2)
X1 routing template (item #3)
X4 ST3x40 screws (item #4)
- The bezel is supplied painted black (-BL) or white (-WH) according part number suffix ordered. The bezel may be custom ordered without paint (-WO)
- Designed for C4-WALL7- touch screen (by Control4) (Touch screen not included).

Key properties:

- Dimensions (W/H/D): 244.7mm (9.6”)/ 194.2mm (7.64”)/ 51.7mm (2.04”)
- Power Supply: None (manual adapter).
- Weight: 0.8Kg, 1.76lbs.
- Material: Moisture resistant MDF



FOR INSTALLATION IN BOARDS 9.1mm TO 25.1mm THICK USE ROUTING TEMPLATE AS INSTALLATION SPACER





Model: WS FOR CONTROL4 T3 7"
 - SOLID SURFACE
 - BLACK / WHITE (-BL / -WH)

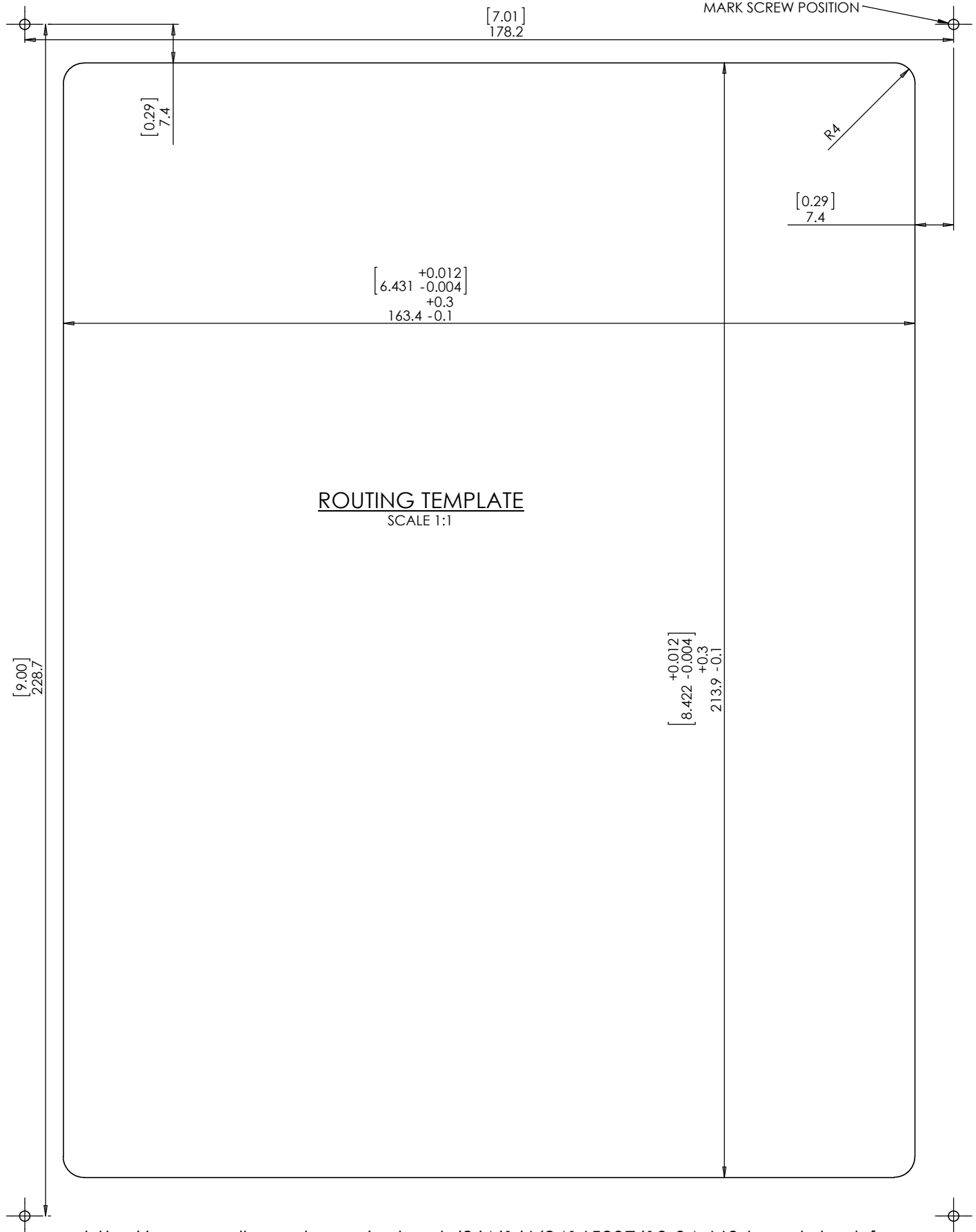
Family: WALL-SMART
 DWG NO. 10-04-669-SPC



Model No.: 10-01-669

PRODUCT SPEC.

REVISION A
 DATE 10/Oct./2017



<http://www.wall-smart.com/uploads/2/4/1/6/24165207/10-04-669-template.dxf>