



Model: WS for TP4 Retrofit WO paint

Family: WALL-SMART

DWG NO. 10-04-662-SPC

Model No.: 10-01-662

PRODUCT SPEC.

REVISION A

DATE 11/MAY/2016



Make Your Wall Smart

“WS for TP4 Retrofit WO paint” - Product description:

The “WS for TP4 Retrofit WO paint” is an adapter for in-wall nearly flush retrofit installation of a TP4 touch screen.

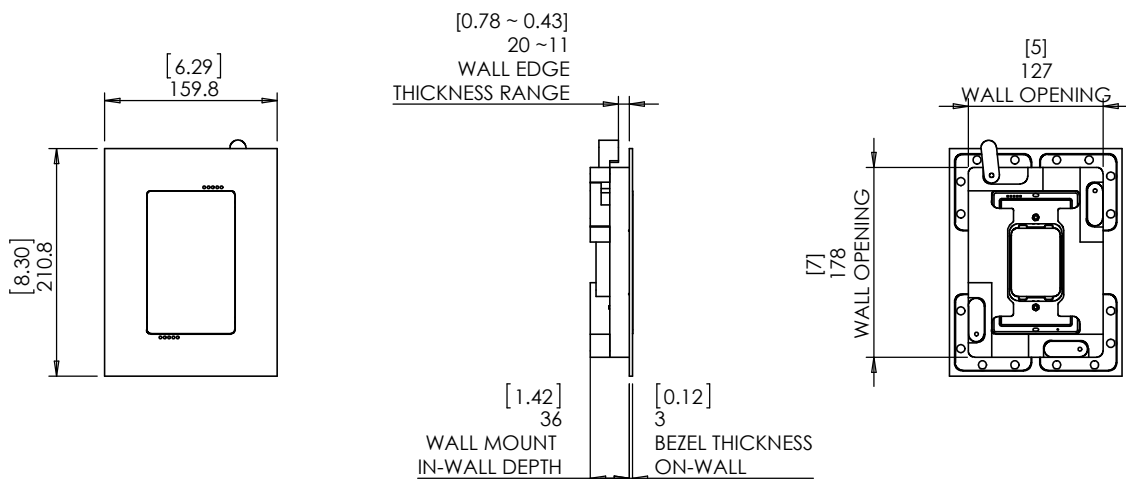
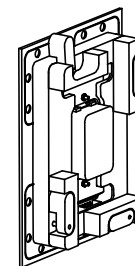
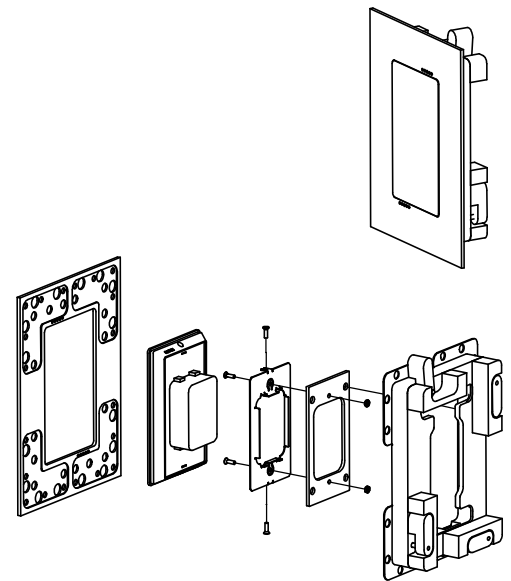
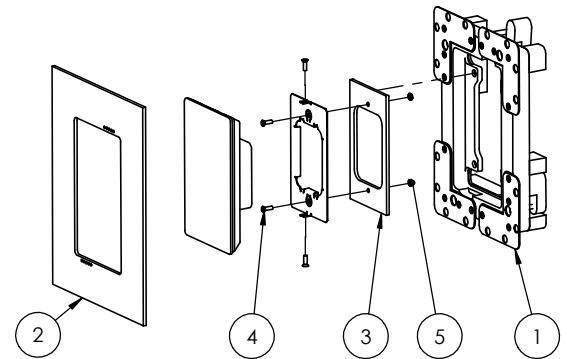
The “WS for TP4 Retrofit WO paint” securely mounts the TP4 touch screen while allowing easy insertion, removal and operation.

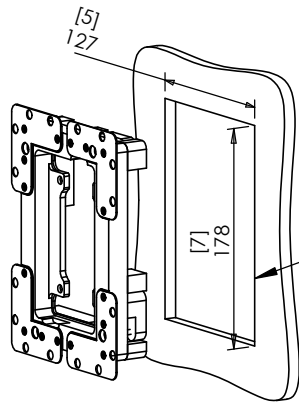
Key features and benefits:

- Nearly flush with the wall (3mm [0.19”] thick on-wall bezel).
- Wall mount may be mounted in any orientation.
- Allows easy insertion and removal of the touch screen.
- Bezel attaches magnetically to the retrofit wall mount base.
- The bezel is supplied unpainted.
- Designed for the use with xTP4 touch screen (by Elan, Niles or Speakercraft) (touch panel is not included).
- Adapter kit contains:
 1. (X1) Wall mount base;
 2. (X1) Bezel;
 3. (X1) TOUCH PANEL ADAPTER;
 4. (X2) M3X12 SCREWS
 5. (X2) M3 NUTS

Key properties:

- Dimensions: (W/H/D): 159.8mm (6.23”)/ 210.8mm (8.3”)/ 39mm (1.54”)
- Weight: 1.2Kg, 2.64lbs.
- Material: Moisture resistant MDF

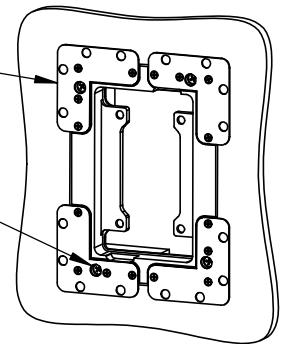
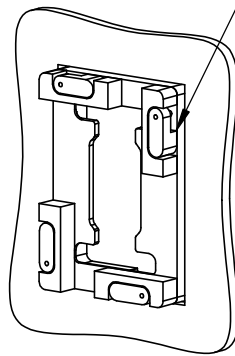




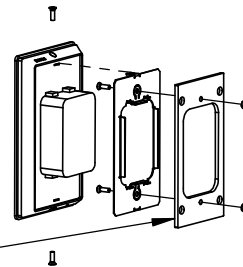
1. CUT OPENING
2. ROUTE NECESSARY CABLES

3. INSERT WALL MOUNT BASE

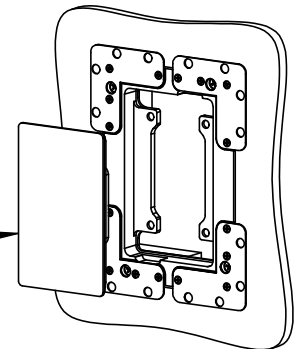
4. GENTLY SCREW CLOCKWISE 4 RETENTION SCREWS UNTIL CAM LATCHES RETAIN THE UNIT.



5. ASSEMBLE THE TOUCH PANEL ADAPTOR



6. ATTACH TOUCH SCREEN (MAGNETICALLY)



7. ATTACH THE BEZEL (MAGNETICALLY)

