



Model: WS for CORE BRANDS TP12 touch panel

Family: WALL-SMART

DWG NO. 10-04-649-SPC



Model No.: 10-01-649

PRODUCT SPEC.

REVISION A

DATE 03/July/2016

Make Your Wall Smart

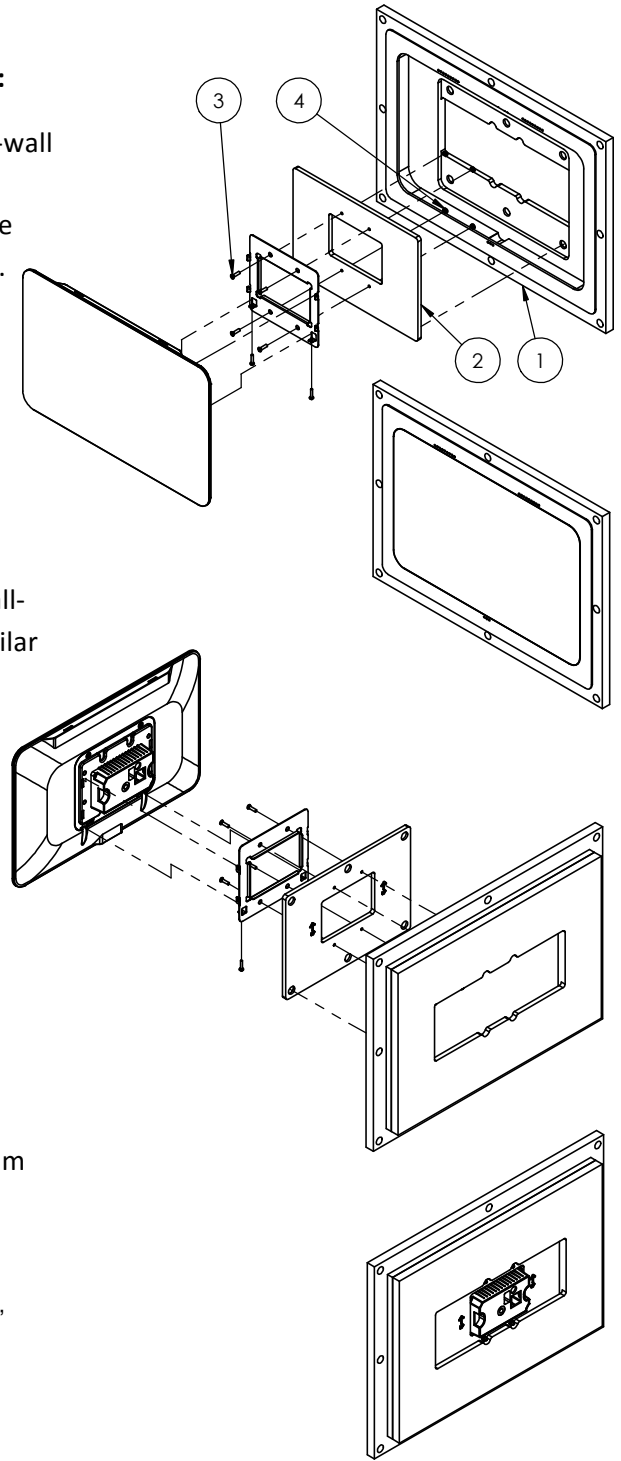
“WS for CORE BRANDS TP12 touch panel” - Product description:

The “WS for CORE BRANDS TP12 touch panel” is an adapter for in-wall flush installation of TP12 touch screen.

The “WS for CORE BRANDS TP12 touch panel” securely mounts the touch screen while allowing easy access, insertion and operation.

Key features and benefits:

- Flush with the wall.
- Paintable with the wall paint in any color and texture.
- Allows easy insertion and removal of the touch screen.
- The adapter is supplied unpainted (To be painted after installation as part of the wall).
- Designed to be installed in 1/2” drywall. Installation of the Wall-Smart adapter is straight-forward. Installation process is similar to drywall construction procedures. Before installation, read Wall-Smart installation instruction 10-04-00101-INS in <http://www.wall-smart.com/faq>
- Designed for the use with xTP12 touch screen (by ELAN, NILES & SpeakerCraft) (touch screen and back box not included).
- Adapter kit contains:
 1. Wall adapter;
 2. Touch screen adapter;
 3. (X4) M3x12 screws
 4. (X4) M3 nuts



Key properties:

- Dimensions (W/H/D): 386mm (15.2")/ 280mm (11.02")/ 33.6mm (1.32")
- Power Supply: None (manual adapter).
- Weight: 0.69Kg, 1.52lbs.
- Material: Moisture resistant MDF
- To be installed in 1/2” drywall (for installation in 5/8” drywall use 1/8” shim pack P/N 10-01-067 (sold separately)).

