



Model: WS for TP12 Retrofit White

Family: WALL-SMART

DWG NO. 10-04-636-SPC

Model No.: 10-01-636

PRODUCT SPEC.

REVISION A

DATE 11/MAY/2016



**Make Your Wall Smart**

**“WS for TP12 Retrofit White” - Product description:**

The “WS for TP12 Retrofit White” is an adapter for in-wall nearly flush retrofit installation of a TP12 touch screen.

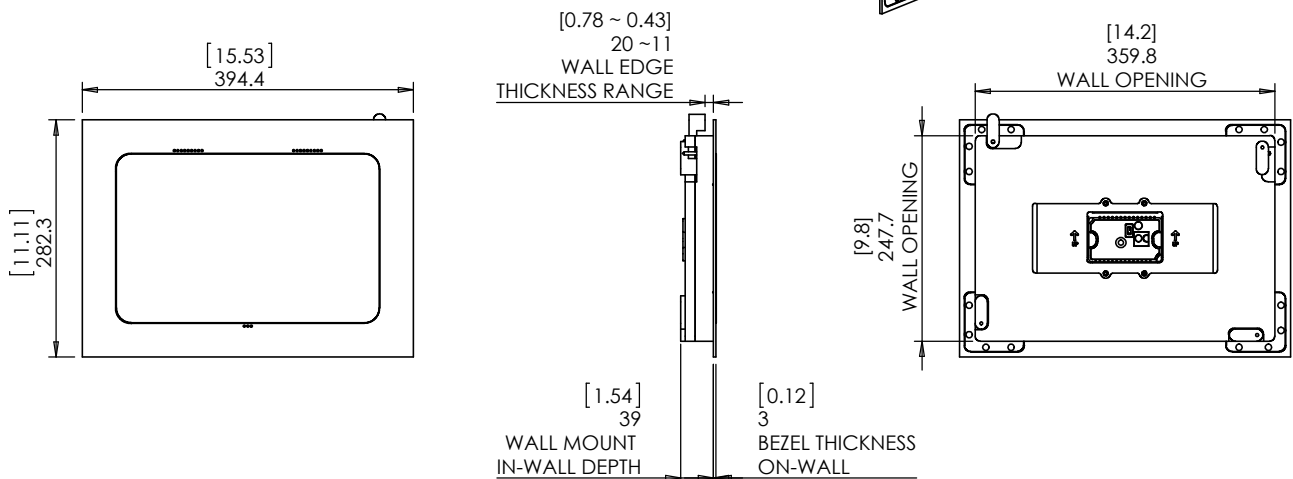
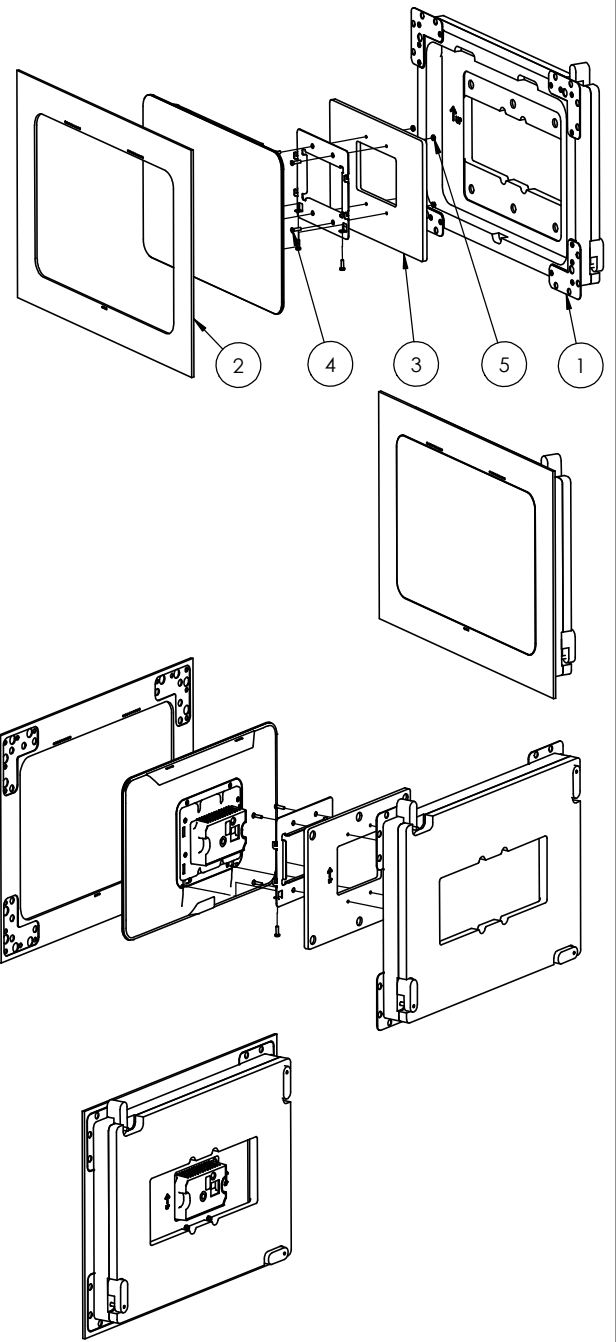
The “WS for TP12 Retrofit White” securely mounts the TP12 touch screen while allowing easy insertion, removal and operation.

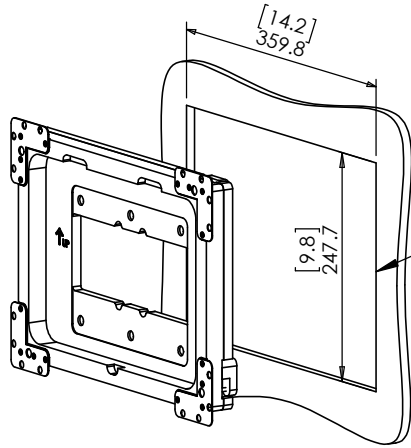
**Key features and benefits:**

- Nearly flush with the wall (3mm [0.19”] thick on-wall bezel).
- Wall mount may be mounted in any orientation.
- Allows easy insertion and removal of the touch screen.
- Bezel attaches magnetically to the retrofit wall mount base.
- The bezel is supplied painted white, 60% gleam.
- Designed for the use with xTP12 touch screen (by Elan, Niles or Speakercraft) (touch panel is not included).
- Adapter kit contains:
  1. (X1) Wall mount base;
  2. (X1) Bezel;
  3. (X1) TOUCH PANEL ADAPTER;
  4. (X4) M3X12 SCREWS
  5. (X4) M3 NUTS

**Key properties:**

- Dimensions: (W/H/D): 394.4mm (15.53”)/ 282.3mm (11.11”)/ 41mm (1.66”)
- Weight: 2.2Kg, 4.84lbs.
- Material: Moisture resistant MDF



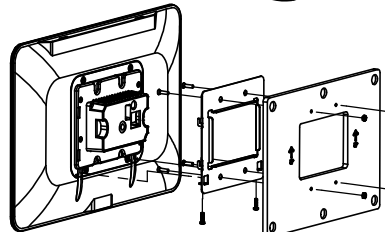
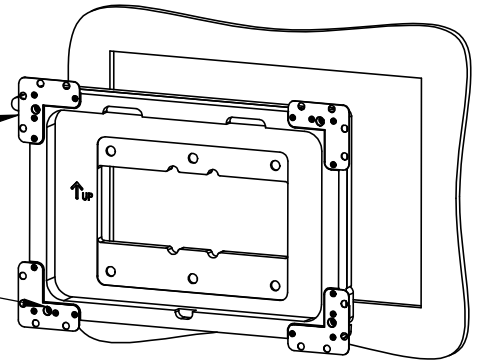
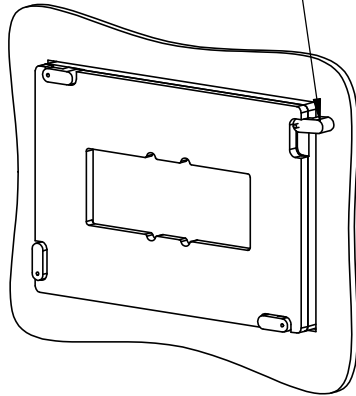


1. CUT OPENING

2. ROUTE NECESSARY CABLES

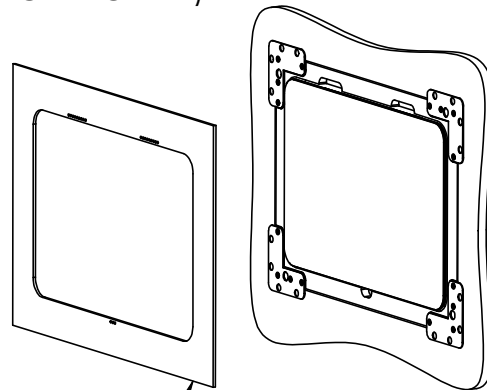
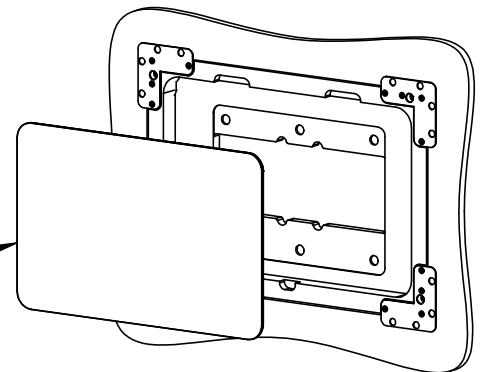
3. INSERT WALL MOUNT BASE

4. GENTLY SCREW CLOCKWISE 4 RETENTION SCREWS UNTIL CAM LATCHES RETAIN THE UNIT.



5. ASSEMBLE THE TOUCH PANEL ADAPTOR

6. ATTACH TOUCH SCREEN (MAGNETICALLY)



7. ATTACH THE BEZEL (MAGNETICALLY)

