



Model: WS for TP7 Retrofit White

Family: WALL-SMART

DWG NO. 10-04-634-SPC

Model No.: 10-01-634

PRODUCT SPEC.

REVISION A

DATE 11/MAY/2016



### Make Your Wall Smart

#### “WS for TP7 Retrofit White” - Product description:

The “WS for TP7 Retrofit White” is an adapter for in-wall nearly flush retrofit installation of a TP7 touch screen.

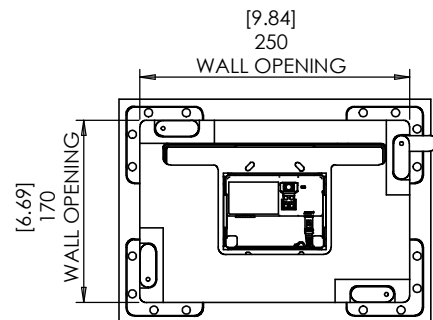
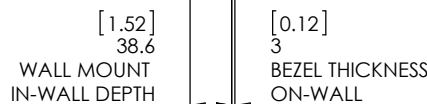
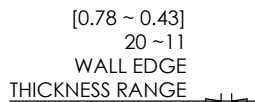
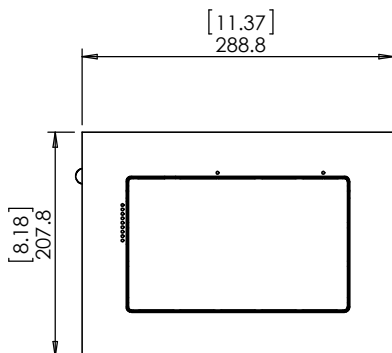
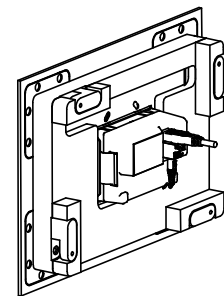
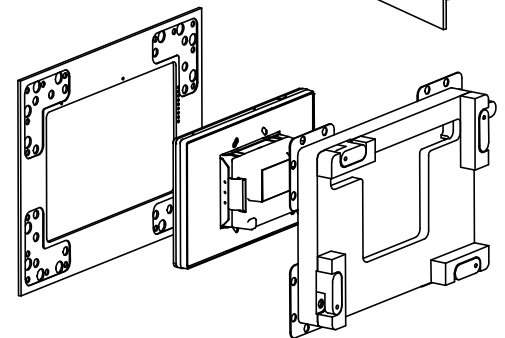
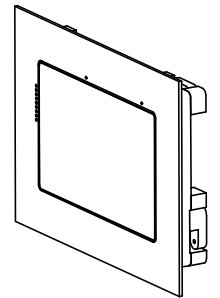
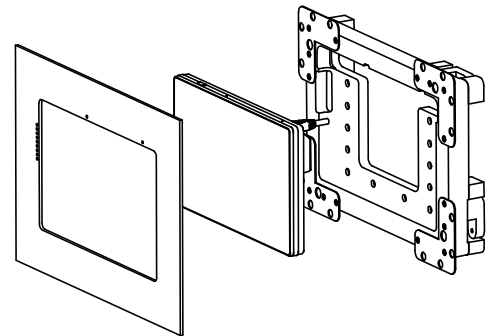
The “WS for TP7 Retrofit White” securely mounts the TP7 touch screen while allowing easy insertion, removal and operation.

#### Key features and benefits:

- Nearly flush with the wall (3mm [0.19"] thick on-wall bezel).
- Wall mount may be mounted in any orientation.
- Allows easy insertion and removal of the touch screen.
- Bezel attaches magnetically to the retrofit wall mount base.
- The bezel is supplied painted white, 60% gleam.
- Designed for the use with xTP7 touch screen (by Elan, Niles or Speakercraft) (touch panel is not included).
- Adapter kit contains:
  1. (X1) Wall mount base;
  2. (X1) Bezel;

#### Key properties:

- Dimensions: (W/H/D): 288.8mm (11.37")/ 207.8mm (8.18")/ 41.6mm (1.64")
- Weight: 2.2Kg, 4.85lbs.
- Material: Moisture resistant MDF





Model: WS for TP7 Retrofit White

Family: WALL-SMART

DWG NO. 10-04-634-SPC

Model No.: 10-01-634

PRODUCT SPEC.

REVISION A

DATE 11/MAY/2016

