



Model: WS FOR BERKER B.IQ 1G SSTL Solid surface

Family: WALL-SMART

DWG NO. 10-04-630-SPC



Model No.: 10-01-630

PRODUCT SPEC.

REVISION A
DATE 20/July/2016

Make Your Wall Smart

WS FOR BERKER B.IQ 1G SSTL Solid surface - Product description:

The "WS FOR BERKER B.IQ 1G SSTL Solid surface" is an adapter for in-wall flush installation of a Berker B.IQ 1G SSTL keypad in solid surfaces.

The "WS FOR BERKER B.IQ 1G SSTL Solid surface" securely mounts the B.IQ 1G SSTL keypad while allowing easy access, insertion and removal.

Key features and benefits:

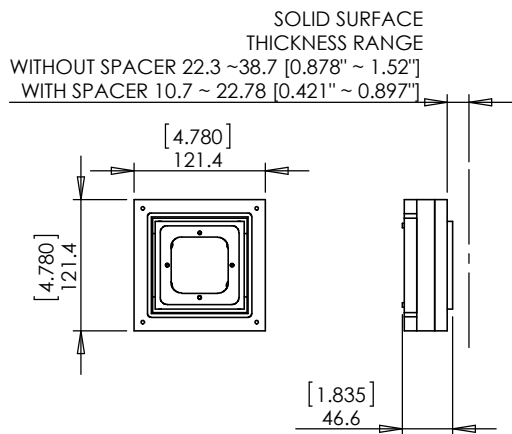
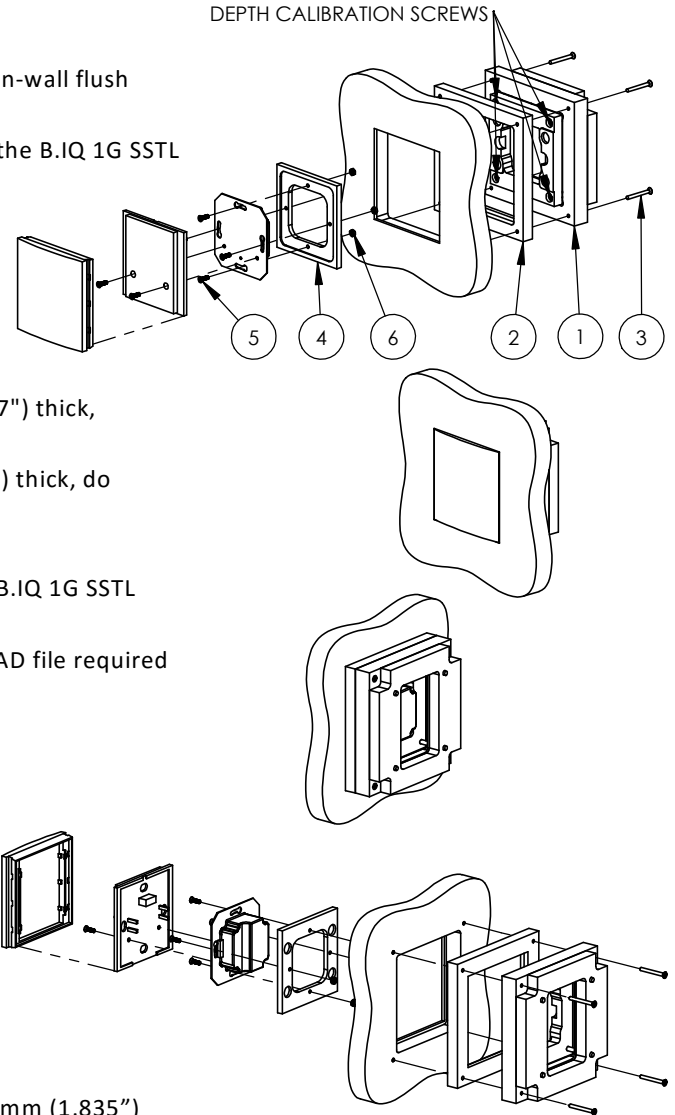
- Flush with the wall.
- Includes depth calibration mechanism and a spacer allowing installation in wide range of board thicknesses:
 - For installation in boards 10.7mm ~ 22.78 mm (0.421" ~ 0.897") thick, install spacer.
 - For installation in boards 22.3mm ~ 38.7mm (0.878" ~ 1.523") thick, do not install spacer.
- Allows easy maintenance access.
- Designed for the use with Berker B.IQ 1G SSTL keypad. (Berker B.IQ 1G SSTL keypad is not included)
- Use the spacer frame as a routing template. In case a routing CAD file required contact support@wall-smart.com

Kit includes:

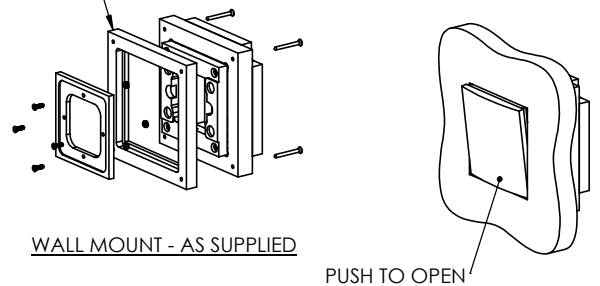
- (x1) Wall adaptor (item #1)
- (x1) Spacer frame / routing template (item #2)
- (x4) Adapter mounting screws ST3 X40mm (item #3)
- (x1) keypad adaptor (item #4)
- (x4) M3x12 screws (item #5)
- (x4) M3 nuts (item #6)

Key properties:

- Dimensions (W/H/D): 121.4mm (4.78")/ 121.4mm (4.78")/ 46.6mm (1.835")
- Power Supply: None (manual adapter).
- Weight: 0.292Kg, 0.642lb.
- To be installed in 10.7mm ~ 38.7mm [0.421" ~ 1.523"] solid surfaces.
- Material: Moisture resistant MDF



INSTALLATION SPACER & ROUTING TEMPLATE





Model: WS FOR BERKER B.IQ 1G
SSTL Solid surface

Family: WALL-SMART

DWG NO. 10-04-630-SPC

Model No.: 10-01-630

PRODUCT SPEC.

REVISION A

DATE 20/July/2016



ROUTING TEMPLATE 1:1

