



Model: WS for Berker TS-Sensor
- Solid surface

Family: WALL-SMART

DWG NO. 10-04-629-SPC



Model No.: 10-01-629

PRODUCT SPEC.

REVISION A

DATE 20/July/2016

Make Your Wall Smart

WS for Berker TS-Sensor - Solid surface - Product description:

The "WS for Berker TS-Sensor - Solid surface" is an adapter for in-wall flush installation of a Berker TS-Sensor in solid surfaces.

The "WS for Berker TS-Sensor - Solid surface" securely mounts the TS-Sensor while allowing easy access, insertion and removal.

Key features and benefits:

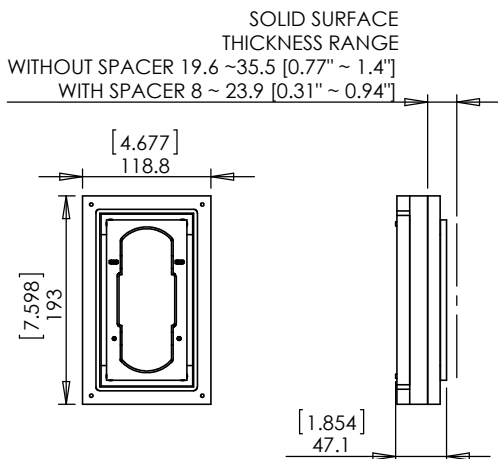
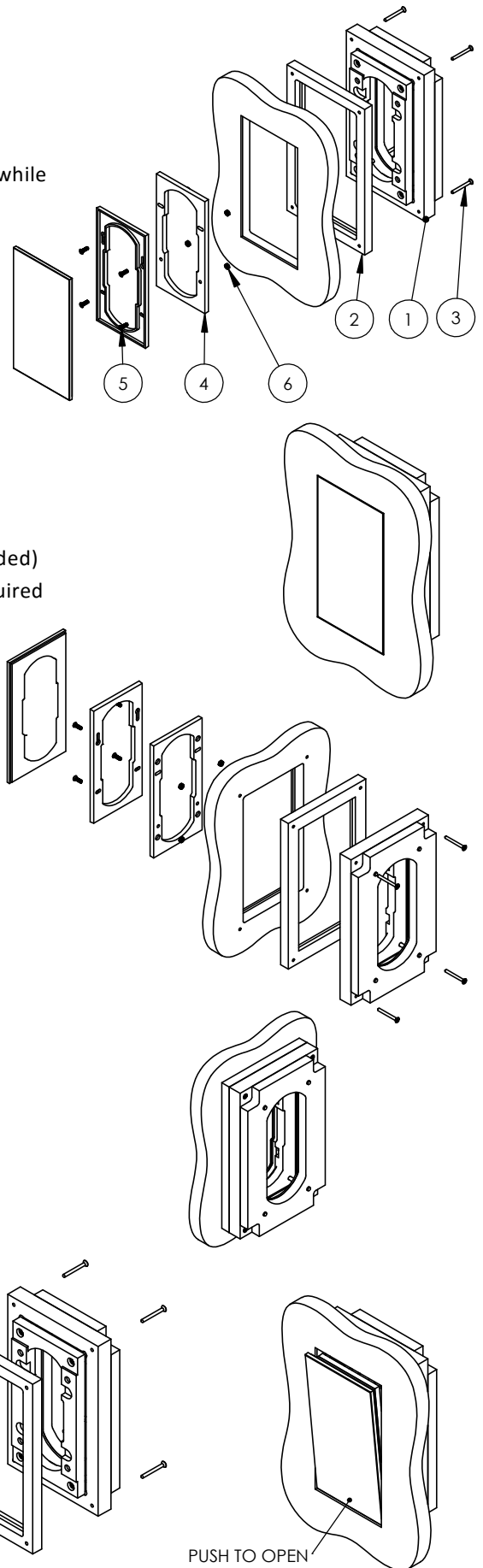
- Flush with the wall.
- Includes depth calibration mechanism and a spacer allowing installation in wide range of board thicknesses:
 - For installation in boards 8mm ~ 23.9 mm (0.31" ~ 0.94") thick, install spacer.
 - For installation in boards 19.6mm ~ 35.5mm (0.77" ~ 1.4") thick, do not install spacer.
- Allows easy maintenance access.
- Designed for the use with Berker TS-Sensor. (Berker TS-Sensor is not included)
- Use the spacer frame as a routing template. In case a routing CAD file required contact support@wall-smart.com

Kit includes:

- (x1) Wall adaptor (item #1)
- (x1) Spacer frame / routing template (item #2)
- (x4) Adapter mounting screws ST3 X40mm (item #3)
- (x1) keypad adaptor (item #4)
- (x4) M3x12 screws (item #5)
- (x4) M3 nuts (item #6)

Key properties:

- Dimensions (W/H/D): 118.8mm (4.67")/ 193mm (7.59")/ 47.1mm (1.854")
- Power Supply: None (manual adapter).
- Weight: 0.42Kg, 0.924lb.
- To be installed in 8mm ~ 35.5mm [0.31" ~ 1.4"] solid surfaces.
- Material: Moisture resistant MDF



INSTALLATION SPACER & ROUTING TEMPLATE

WALL MOUNT - AS SUPPLIED



Model: WS for Berker TS-Sensor
- Solid surface

Family: WALL-SMART

DWG NO. 10-04-629-SPC

Model No.: 10-01-629

PRODUCT SPEC.

REVISION A

DATE 20/July/2016



ROUTING TEMPLATE 1:1

