



Model: RETROFIT BEZEL C4 T3 10" WHITE

Model No.: 10-01-587

Family: WALL-SMART

DWG NO. 10-04-587-SPC

PRODUCT SPEC.

REVISION A

DATE 29/June/2016



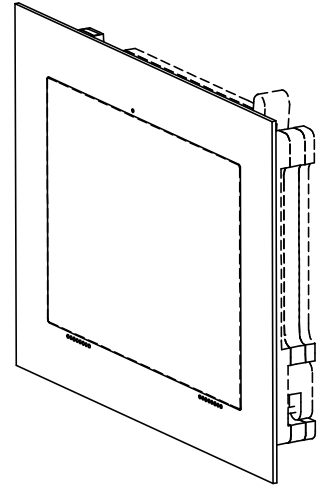
Make Your Wall Smart

“RETROFIT BEZEL C4 T3 10" WHITE” - Product description:

The “RETROFIT BEZEL C4 T3 10" WHITE” is a bezel design for the “RETROFIT BASE CONTROL4 T3 10"“ P/N 10-01-585 (An adapter for in-wall nearly flush retrofit installation of C4-WALL10- touch screen)

Key features and benefits:

- Nearly flush with the wall (3mm [0.12"] thick on-wall bezel).
- Bezel contains audio speaker and mic. grills.
- Attaches magnetically to the retrofit wall mount base.
- Designed for the use with C4-WALL10- (by Control4) (touch screen is not included).
- The bezel is supplied painted white.



Key properties:

- Dimensions (W/H/D): 323mm (12.72")/ 250mm (9.83")/ 3mm (0.12")
- Weight: 0.1Kg, 0.22lbs.
- Material: Moisture resistant MDF

