



Model: WS FOR BERKER B.7  
1G SSSL Solid surface

Family: WALL-SMART

DWG NO. 10-04-566-SPC



Model No.: 10-01-566

PRODUCT SPEC.

REVISION A

DATE 20/July/2016

**Make Your Wall Smart**

**WS FOR BERKER B.7 1G SSSL Solid surface - Product description:**

The "WS FOR BERKER B.7 1G SSSL Solid surface" is an adapter for 1 gang in-wall flush installation of a Berker B.7 1 gang stainless steel faceplate and accessories in solid surfaces.

The "WS FOR BERKER B.7 1G SSSL Solid surface" securely mounts the faceplate & product while allowing easy access, insertion and removal.

**Key features and benefits:**

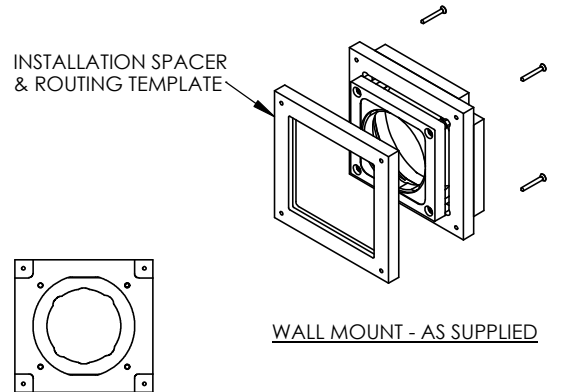
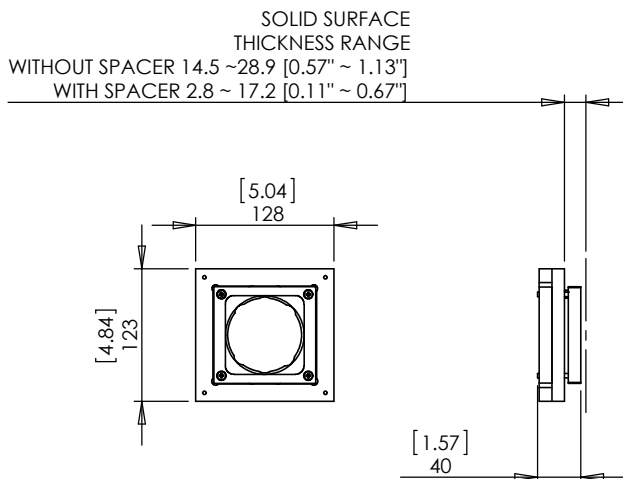
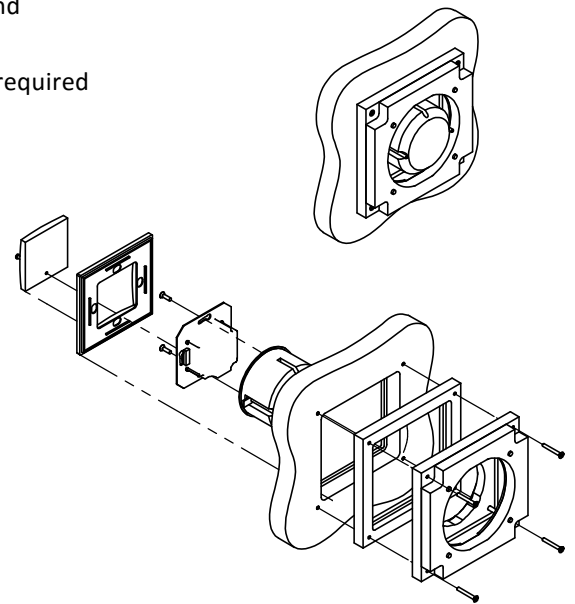
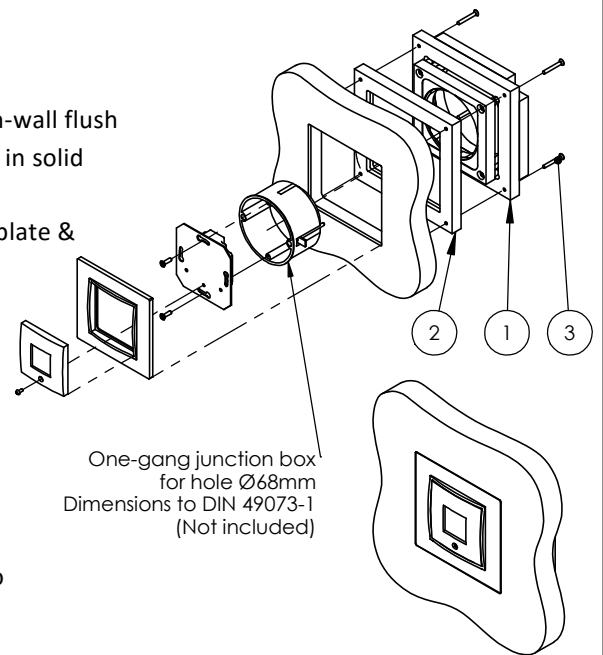
- Flush with the wall.
- Includes depth calibration mechanism and a spacer allowing installation in wide range of board thicknesses:
  - For installation in boards 2.8mm ~ 17.2 mm (0.11" ~ 0.67") thick, install spacer.
  - For installation in boards 14.5mm ~ 28.9mm (0.57" ~ 1.13") thick, do not install spacer.
- Allows easy maintenance access.
- Designed for the use with Berker B.7 1 gang stainless steel faceplate and accessories. (Berker products and back box are not included)
- Use the spacer frame as a routing template. In case a routing CAD file required contact support@wall-smart.com

**Kit includes:**

- (x1) Wall adaptor (item #1)
- (x1) Spacer frame / routing template (item #2)
- (x4) Adapter mounting screws ST3 X30mm (item #3)

**Key properties:**

- Dimensions (W/H/D): 128mm (5.04")/ 123mm (4.84")/ 40mm (1.57")
- Power Supply: None (manual adapter).
- Weight: 0.22Kg, 0.48lb.
- To be installed in 2.8mm ~ 28.9mm [0.11" ~ 1.13"] solid surfaces.
- Material: Moisture resistant MDF





Model: WS FOR BERKER B.7  
1G SSTL Solid surface

Family: WALL-SMART

DWG NO. 10-04-566-SPC

Model No.: 10-01-566

PRODUCT SPEC.

REVISION A

DATE 20/July/2016



# ROUTING TEMPLATE 1:1

