



Model: WS Concrete Box 165X165

Family: WALL-SMART

DWG NO. 10-04-521-SPC

Model No.: 10-01-521

PRODUCT SPEC.

REVISION A

DATE 03/Mar./2016



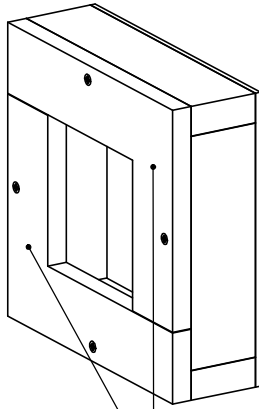
Make Your Wall Smart

WS CONCRETE BOX 165X165

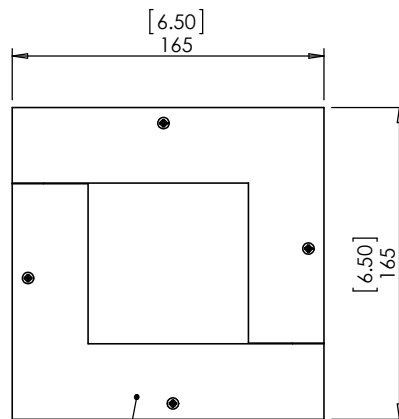
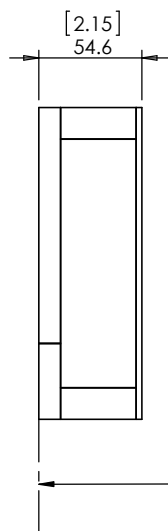
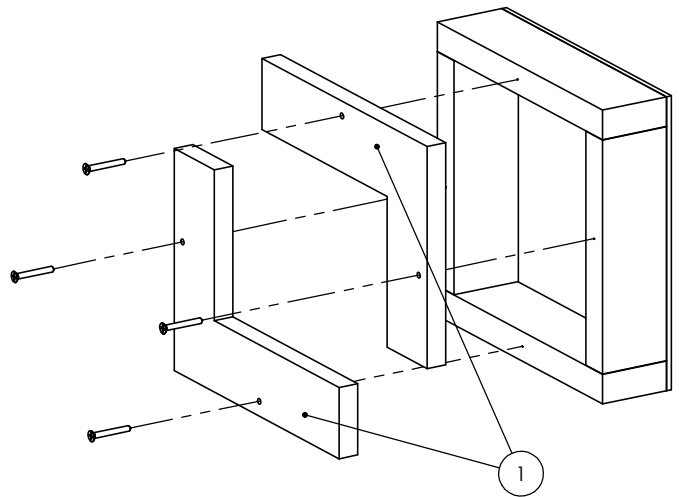
- Designed to support Wall-Smart flush 165x165mm mounts in concrete/brick walls.
- Wall should be plastered up to the front detachable frame (item #1).
- Front detachable frame (item #1) should be removed after the wall was plastered (to be replaced with the adapter).

Key properties:

- Material: MOISTURE RESISTANT MDF
- Dimensions (W/H/D): 165mm (6.5")/ 165mm (6.5")/ 54.6mm (2.15")
- Weight: 0.57Kg (1.25lbs)



FRONT DETACHABLE FRAME



[6.50]
165

PLASTER WALL UP TO THIS SURFACE