



Model: WS for PALLADIOM SQUARE 2COL SOLID.B

Family: WALL-SMART

DWG NO. 10-04-505-SPC



Model No.: 10-01-505

PRODUCT SPEC.

REVISION D

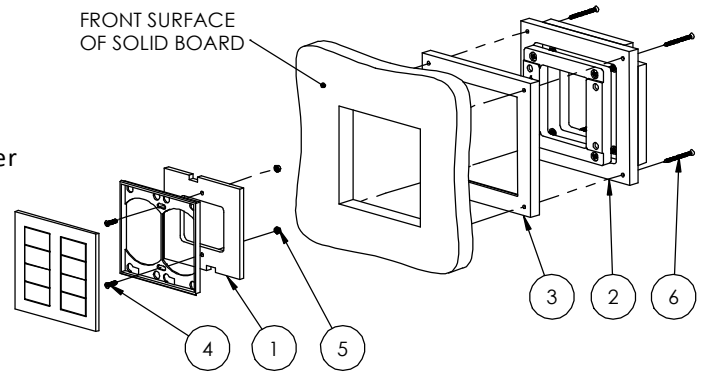
DATE 10/DEC./2025

### Make Your Wall Smart

#### “WS for PALLADIOM SQUARE 2COL SOLID.B” - Product description:

The “WS for PALLADIOM SQUARE 2COL SOLID.B” is an adapter for in-wall flush installation of a Palladiom, square style, 2 column keypad in solid board walls.

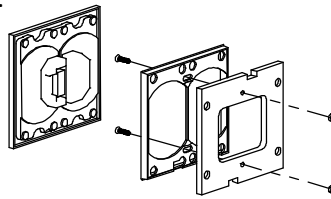
The “WS for PALLADIOM SQUARE 2COL SOLID.B” securely mounts the keypad while allowing easy access, insertion and removal.



#### Key features and benefits:

- Allows easy insertion and removal of the keypad by manual push and magnet detachment of the keypad adaptor.
- Includes depth calibration mechanism and spacer allowing installation in a range of board thicknesses:  
With spacer from 9.78mm [0.39"] up to 21.86mm [0.86"].  
Without spacer from 21.38mm [0.84"] up to 33.46mm [1.32"].
- kit includes:

1. Keypad adaptor frame (X1).
2. Wall adapter (X1)
3. Spacer (X1)
4. M3x12 screws (X2)
5. M3 nut (X2)
6. ST3x40 screws



- Designed for the use with Palladiom, square style, 2 column keypad (by Lutron©) (keypad not included).

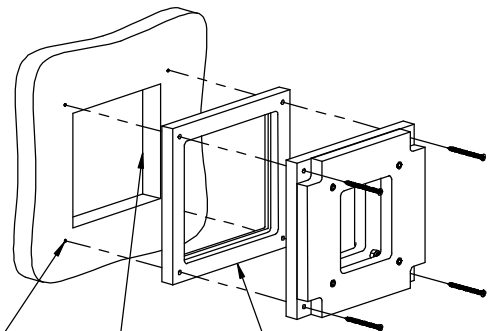
#### Key properties:

- Dimensions (W/H/D): 138mm (5.43")/ 130mm (5.12")/ 39.6mm (1.56")
- Power Supply: None (manual adapter).
- Weight: 0.35Kg, 0.77lbs.

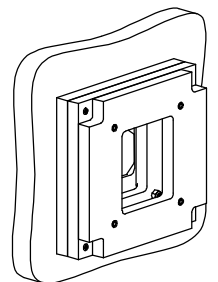
MARK SCREW HOLES AND

ROUTE KEYPAD OPENING ACCORDING TO TEMPLATES ATTACHED.

PAGE 2: TEMPLATE FOR MATTE FACEPLATES  
PAGE 3: TEMPLATE FOR METAL FACEPLATES  
PAGE 3: TEMPLATE FOR GLASS FACEPLATES  
FOR DXF FILES AND CNC DXF FILES CONTACT WALL-SMART

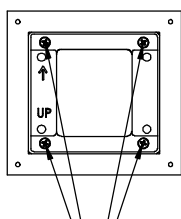


SPACER

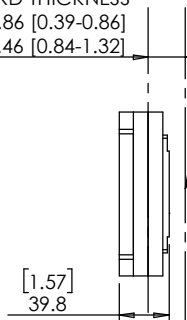


PUSH TO OPEN

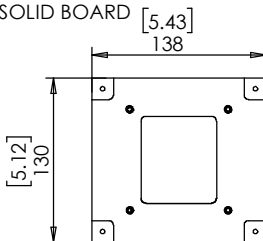
SOLID BOARD THICKNESS  
WITH SPACER 9.78-21.86 [0.39-0.86]  
WITHOUT SPACER 21.38-33.46 [0.84-1.32]



DEPTH CALIBRATION SCREWS



FRONT SURFACE OF SOLID BOARD





Model: WS for PALLADIOM SQUARE  
2COL SOLID.B

Family: WALL-SMART

DWG NO. 10-04-505-SPC

Model No.: 10-01-505

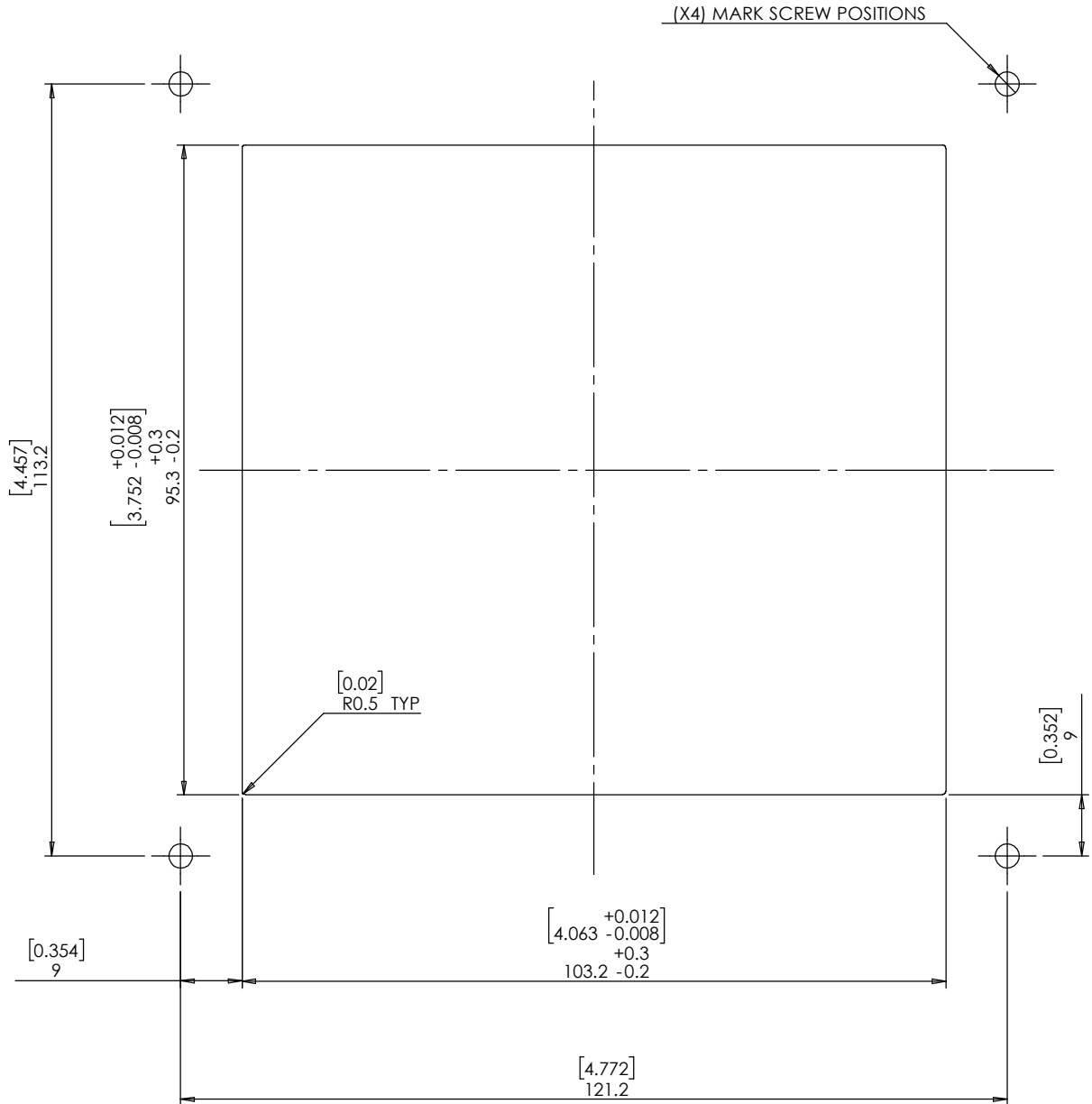
PRODUCT SPEC.

REVISION D

DATE 10/DEC./2025



### CUTOUT TEMPLATE FOR PALLADIOM SQUARE 2COLUMN **MATTE (PLASTIC)** FACEPLATE:





Model: WS for PALLADIOM SQUARE  
2COL SOLID.B

Family: WALL-SMART

DWG NO. 10-04-505-SPC

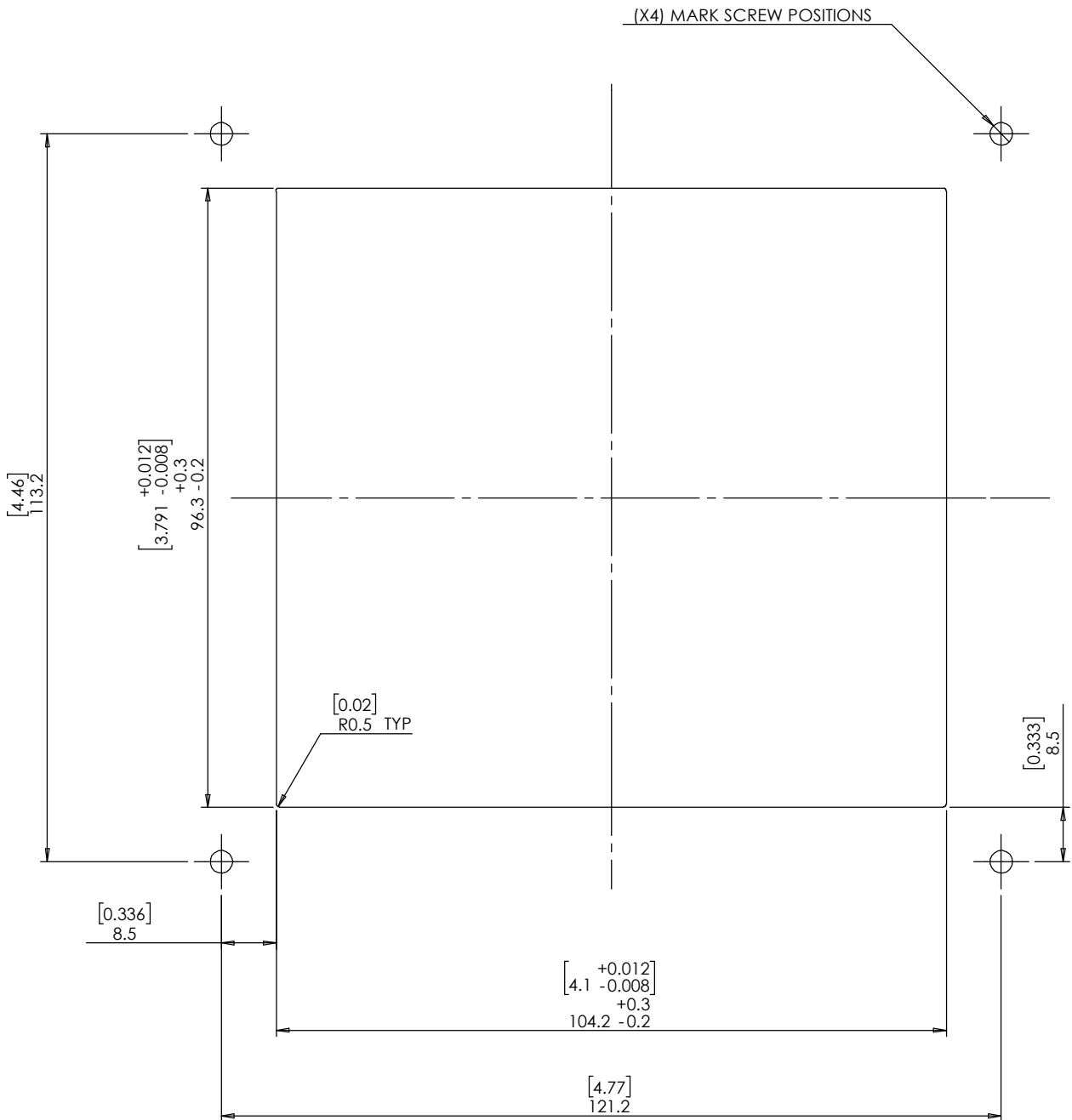
Model No.: 10-01-505

PRODUCT SPEC.

REVISION D  
DATE 10/DEC./2025



### CUTOUT TEMPLATE FOR PALLADIOM SQUARE 2COLUMN **METAL** FACEPLATE:





Model: WS for PALLADIOM SQUARE  
2COL SOLID.B

Family: WALL-SMART

DWG NO. 10-04-505-SPC

Model No.: 10-01-505

PRODUCT SPEC.

REVISION D

DATE 10/DEC./2025



### CUTOUT TEMPLATE FOR PALLADIOM SQUARE 2COLUMN **GLASS** FACEPLATE:

