



Model: WS for PALLADIOM SQUARE 1COL SOLID.B

Family: WALL-SMART

DWG NO. 10-04-500-SPC



Model No.: 10-01-500

PRODUCT SPEC.

REVISION D

DATE 10/DEC./2025

**Make Your Wall Smart**

**“WS for PALLADIOM SQUARE 1COL SOLID.B” - Product description:**

The “WS for PALLADIOM SQUARE 1COL SOLID.B” is an adapter for in-wall flush installation of a Palladiom, square style, 1 column keypad in solid board walls.

The “WS for PALLADIOM SQUARE 1COL SOLID.B” firmly mounts the keypad while allowing easy access, insertion and removal.

**Key features and benefits:**

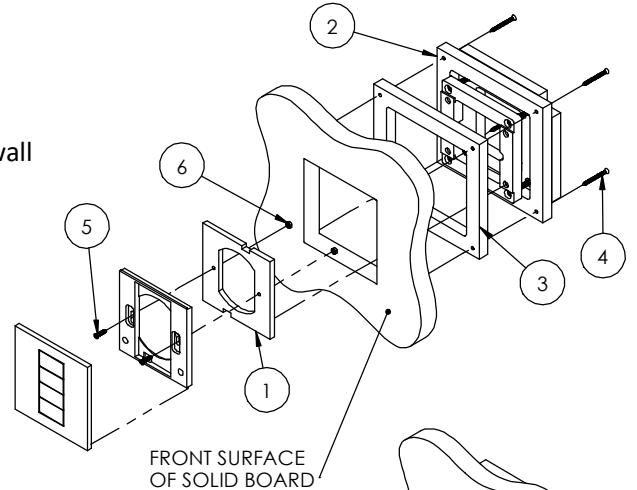
- Flush with the wall.
- Allows easy maintenance access.
- Includes depth calibration mechanism and spacer allowing installation in a range of board thicknesses:  
With spacer from 9.78mm [0.39”] up to 21.86mm [0.86”].  
Without spacer from 21.38mm [0.84”] up to 33.46mm [1.32”].
- See pages 2-4 for templates and routing dimensions.
- Designed for the use with Palladiom, square style, 1 column keypad (by Lutron©) (keypad not included).

**Kit includes:**

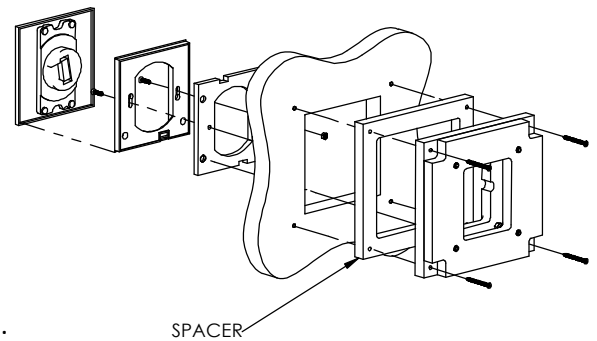
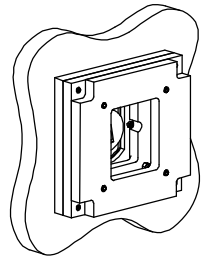
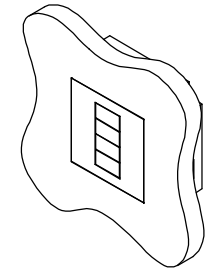
1. Keypad adapter frame (x1)
2. Wall adapter (item x1)
3. Spacer (x1)
4. ST3x40 screws (x4)
5. M3x12 screws (x2)
6. M3 nut (x2)

**Key properties:**

- Dimensions (W/H/D): 138mm (5.43”)/ 130mm (5.12”)/ 39.6mm (1.56”)
- Power Supply: None (manual adapter).
- Weight: 0.35Kg, 0.77lbs.
- Material: Moisture resistant MDF (compliant with TSCA Title VI).



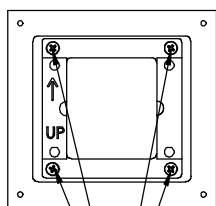
FRONT SURFACE OF SOLID BOARD



SPACER

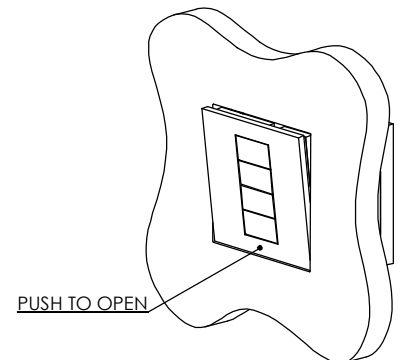
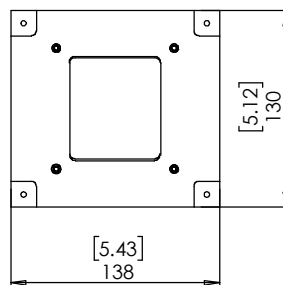
SOLID BOARD THICKNESS  
WITH SPACER 9.78-21.86 [0.39-0.86]  
WITHOUT SPACER 21.38-33.46 [0.84-1.32]

FRONT SURFACE OF SOLID BOARD



[1.57]  
39.8

DEPTH CALIBRATION SCREWS



PUSH TO OPEN



Model: WS for PALLADIOM SQUARE  
1COL SOLID.B

Family: WALL-SMART

DWG NO. 10-04-500-SPC

Model No.: 10-01-500

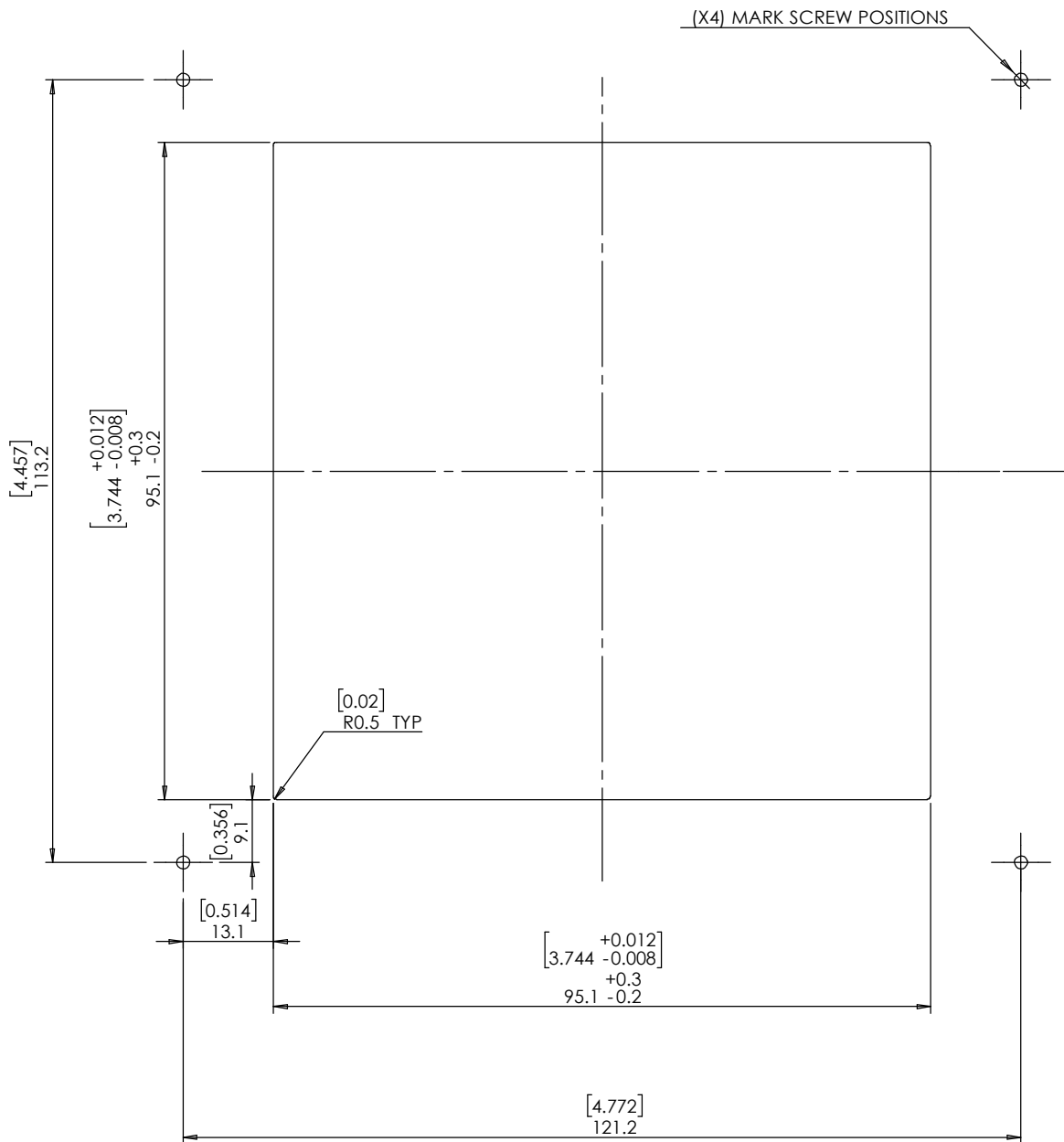
PRODUCT SPEC.

REVISION D

DATE 10/DEC./2025



CUTOUT TEMPLATE FOR PALLADIOM SQUARE 1 COLUMN **MATTE (PLASTIC)** FACEPLATE ONLY:





Model: WS for PALLADIOM SQUARE  
1COL SOLID.B

Family: WALL-SMART

DWG NO. 10-04-500-SPC

Model No.: 10-01-500

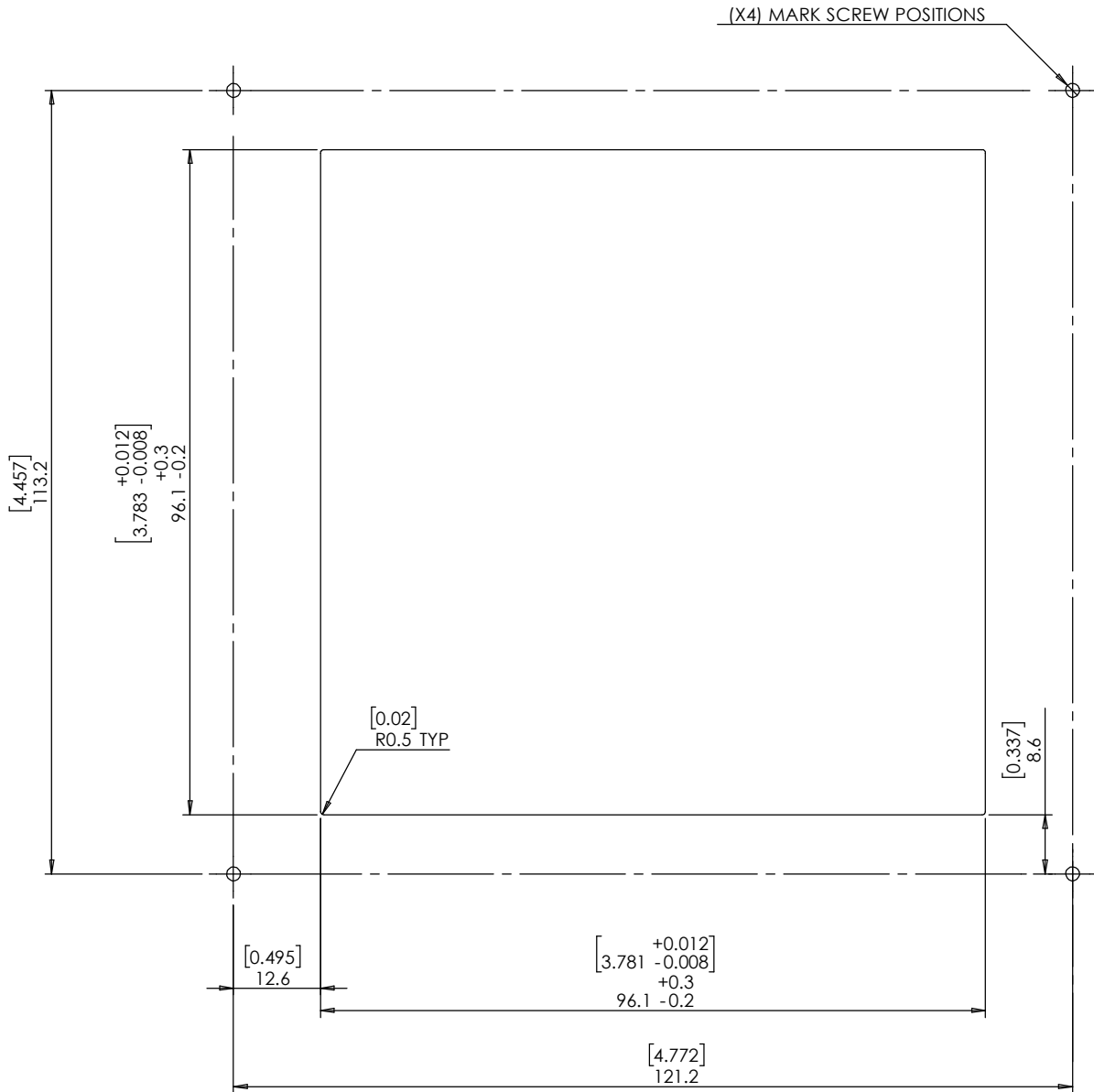
PRODUCT SPEC.

REVISION D

DATE 10/DEC./2025



### CUTOUT TEMPLATE FOR PALLADIOM SQUARE 1 COLUMN **METAL** FACEPLATE ONLY:





Model: WS for PALLADIOM SQUARE  
1COL SOLID.B

Family: WALL-SMART

DWG NO. 10-04-500-SPC

Model No.: 10-01-500

PRODUCT SPEC.

REVISION D

DATE 10/DEC./2025



### CUTOUT TEMPLATE FOR PALLADIOM SQUARE 1 COLUMN **GLASS** FACEPLATE ONLY:

