



Model: WS NC FOR CRESTRON HZ-KPCN

Family: WALL-SMART

DWG NO. 10-04-464-SPC

Model No.: 464

PRODUCT SPEC.

REVISION A

DATE 24/JUNE/2018



Make Your Wall Smart

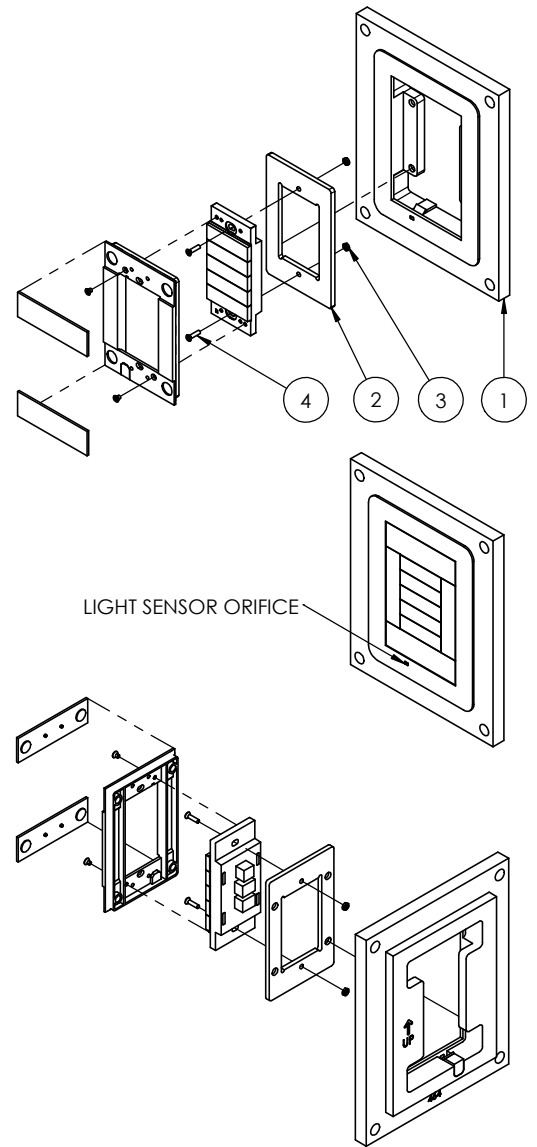
WS NC FOR CRESTRON HZ-KPCN - Product description:

The "WS NC FOR CRESTRON HZ-KPCN" is an adapter for in-wall flush installation of a HZ-KPCN keypad.

The "WS NC FOR CRESTRON HZ-KPCN" firmly mounts the keypad while allowing easy access, insertion and removal.

Key features and benefits:

- Flush with the wall.
- Paintable with the wall paint in any color and texture.
- Allows easy insertion and removal of the keypad by manual push and magnet detachment of the keypad adaptor.
- The adapter is supplied unpainted (To be painted after installation as part of the wall).
- Designed to be installed in 1/2" drywall. Installation of the Wall-Smart adapter is straight-forward. Installation process is similar to drywall construction procedures. Before installation, read Wall-Smart installation instruction 10-04-00101-INS in <http://www.wall-smart.com/faq>
- For installation in concrete/block wall use "WS Concrete Box 200x160" P/N 10-01-181 (sold separately) according installation instruction 10-04-00103-INS in <http://www.wall-smart.com/faq>
- Designed for the use with HZ-KPCN keypad (by Crestron) (keypad not included).
- Adapter kit contains:
 1. (X1) Wall adapter;
 2. (X1) Keypad adaptor
 3. (X2) M3 nuts
 4. (X2) M3X12 screws



Key properties:

- Dimensions (W/H/D): 160mm (6.3")/ 200mm (7.87")/ 22mm (0.87")
- Power Supply: None (manual adapter).
- Weight: 0.4Kg, 0.88lbs.

