



Model: WS RETROFIT FOR SAVANT ITP-E8000 8" SCREEN - BLACK / WHITE / UNPAINTED

Family: WALL-SMART

DWG NO. 10-04-438-SPC



Model No.: 10-01-438-BL/-WH/-WO

PRODUCT SPEC.

REVISION C

DATE 24/APR./2018

Make Your Wall Smart

"WS RETROFIT FOR SAVANT ITP-E8000 8" SCREEN - BLACK / WHITE / UNPAINTED" - Product description:

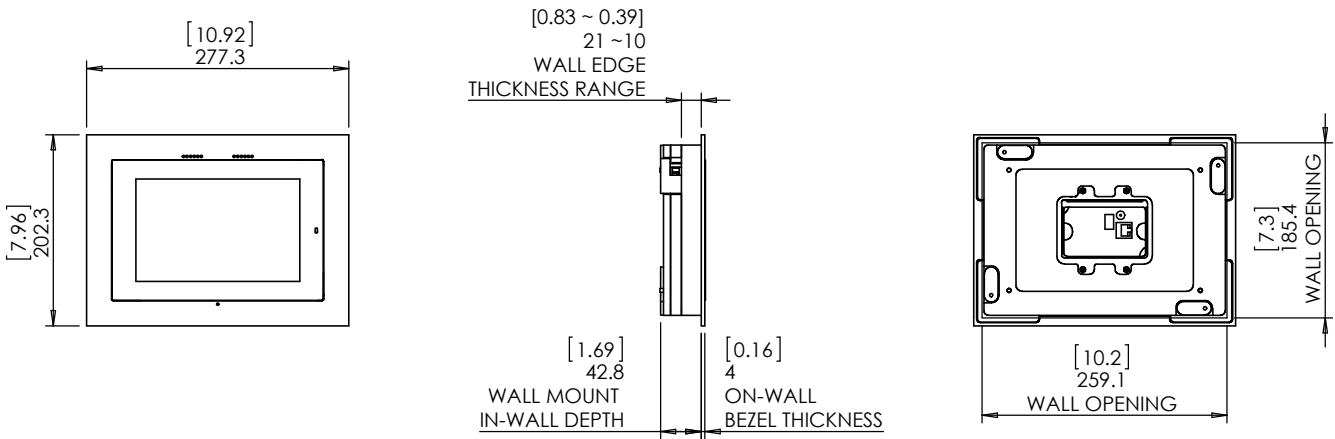
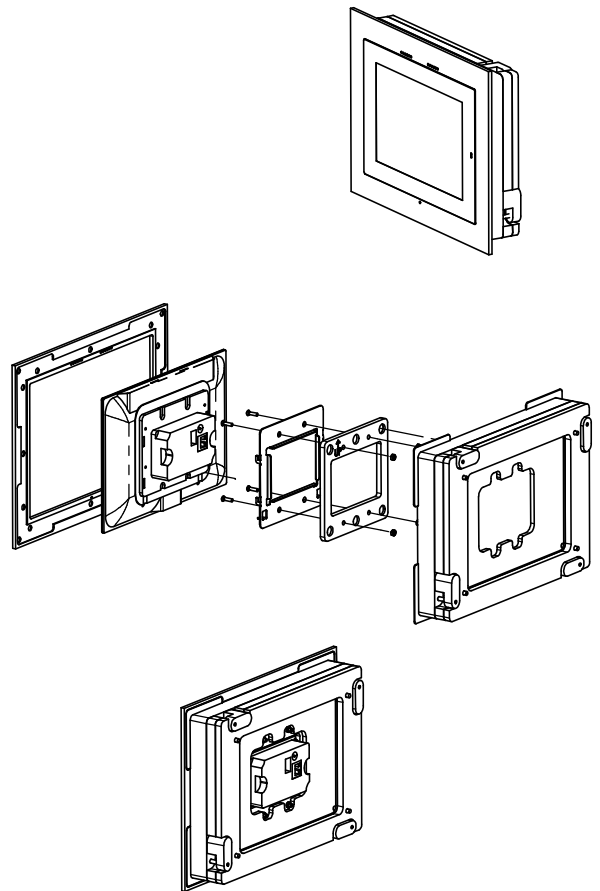
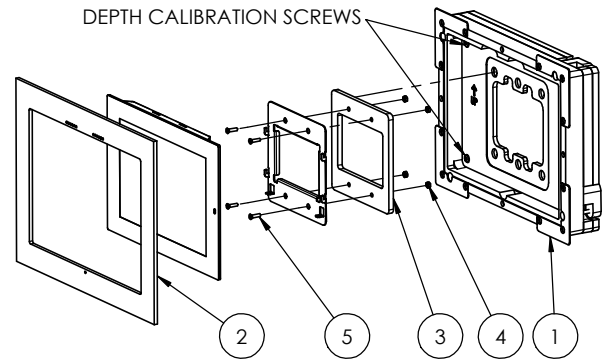
The "WS RETROFIT FOR SAVANT ITP-E8000 8" SCREEN" is an adapter for in-wall nearly flush retrofit installation of a ITP-E8000 touch screen.
 The "WS RETROFIT FOR SAVANT ITP-E8000 8" SCREEN" firmly mounts the ITP-E8000 touch screen while allowing easy insertion, removal and operation.

Key features and benefits:

- Nearly flush with the wall (4mm [0.16"] thick on-wall bezel).
- Allows easy insertion and removal of the touch screen.
- Wall mount contains depth calibration screws.
- Wall board thickness 10mm[0.39"] up to 21mm[0.83"]. For boards up to 32mm[1.25"] thick, reinstall cam latches upside down.
- Bezel attaches magnetically to the retrofit wall mount base.
- The bezel is supplied painted black (-BL), white (-WH) or unpainted (-WO).
- Designed for the use with ITP-E8000 touch screen (by SAVANT) (touch panel is not included).
- Adapter kit contains:
 1. (X1) Wall mount base;
 2. (X1) Bezel;
 3. (X1) Touch screen adapter
 4. (X4) M4 nuts
 5. (X4) M4x10 Screws

Key properties:

- Dimensions: (W/H/D): 277.3mm (10.92")/ 202.3mm (7.96")/ 46.8mm (1.84")
- Weight: 0.95Kg, 2.1lbs.
- Material: Moisture resistant MDF





Model: WS RETROFIT FOR SAVANT ITP-E8000 8"
SCREEN - BLACK / WHITE / UNPAINTED

Family: WALL-SMART

DWG NO. 10-04-438-SPC

Model No.: 10-01-438-BL/-WH/-WO

PRODUCT SPEC.

REVISION C

DATE 24/APR./2018

