



Model: WS RETROFIT FOR SAVANT ITP-E5500 5.5" SCREEN - BLACK / WHITE / UNPAINTED

Family: WALL-SMART

DWG NO. 10-04-435-SPC



Model No.: 10-01-435-BL/-WH/-WO

PRODUCT SPEC.

REVISION C

DATE 24/APR./2018

Make Your Wall Smart

“WS RETROFIT FOR SAVANT ITP-E5500 5.5" SCREEN - BLACK / WHITE / UNPAINTED” - Product description:

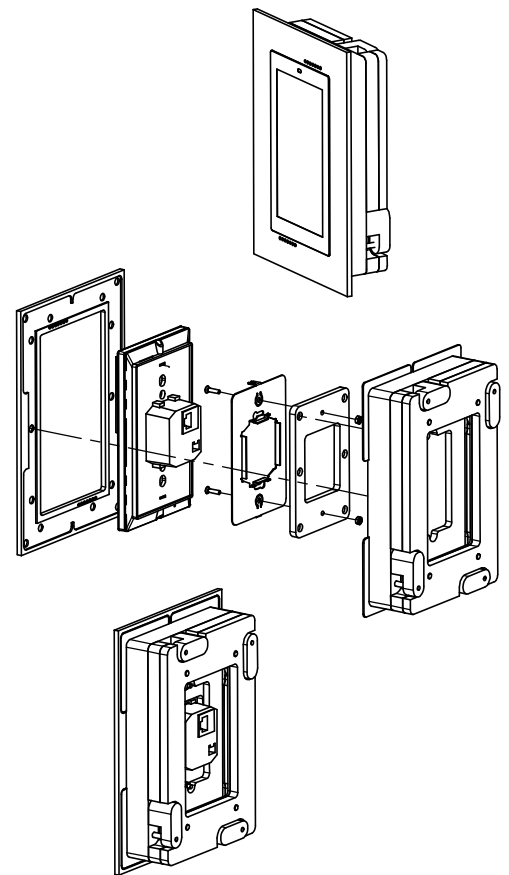
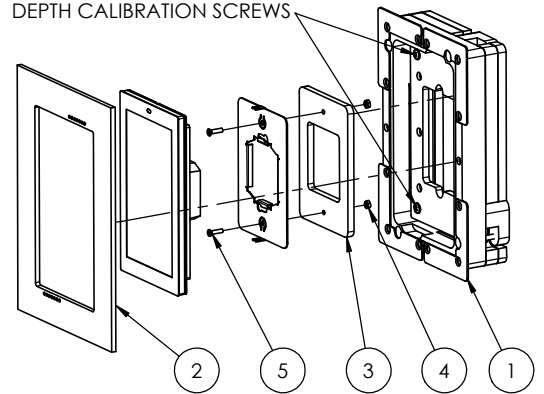
The “WS RETROFIT FOR SAVANT ITP-E5500 5.5" SCREEN” is an adapter for in-wall nearly flush retrofit installation of a ITP-E5500 touch screen.

The “WS RETROFIT FOR SAVANT ITP-E5500 5.5" SCREEN” firmly mounts the ITP-E5500 touch screen while allowing easy insertion, removal and operation.

Key features and benefits:

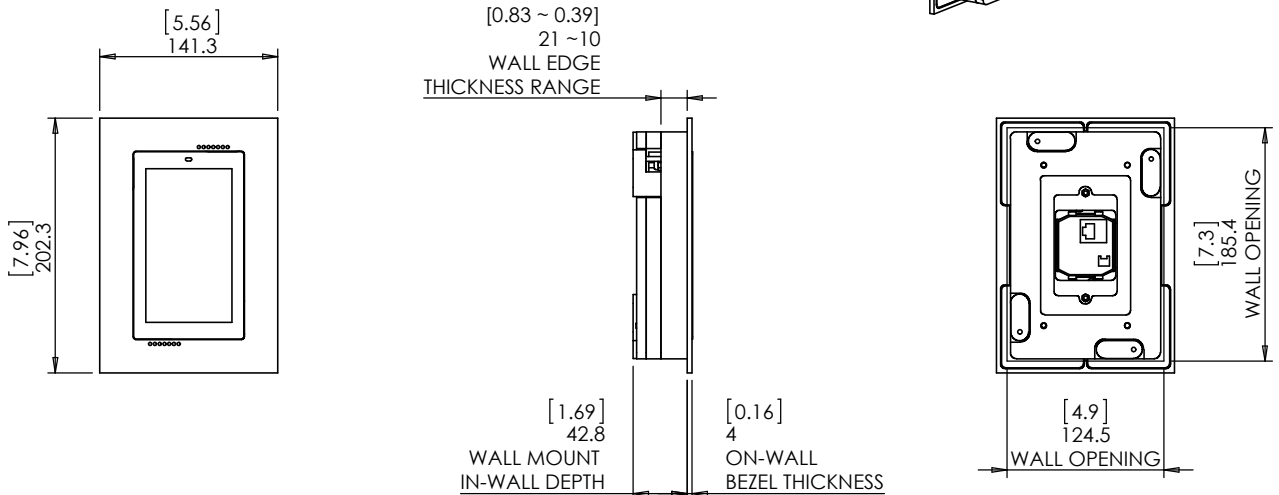
- Nearly flush with the wall (4mm [0.16"] thick on-wall bezel).
- Allows easy insertion and removal of the touch screen.
- Wall mount contains depth calibration screws.
- Wall board thickness 10mm[0.39"] up to 21mm[0.83"]. For boards up to 32mm[1.25"] thick, reinstall cam latches upside down.
- Bezel attaches magnetically to the retrofit wall mount base.
- The bezel is supplied painted black (-BL), white (-WH) or unpainted (-WO).
- Designed for the use with ITP-E5500 touch screen (by SAVANT) (touch panel is not included).
- Adapter kit contains:
 1. (X1) Wall mount base;
 2. (X1) Bezel;
 3. (X1) Touch screen adapter
 4. (X2) M3 nuts
 5. (X2) M3x12 Screws

DEPTH CALIBRATION SCREWS



Key properties:

- Dimensions: (W/H/D): 141.3mm (5.56")/ 202.3mm (7.96")/ 46.8mm (1.84")
- Weight: 0.55Kg, 1.21lbs.
- Material: Moisture resistant MDF





Model: WS RETROFIT FOR SAVANT ITP-E5500 5.5"
SCREEN - BLACK / WHITE / UNPAINTED

Family: WALL-SMART

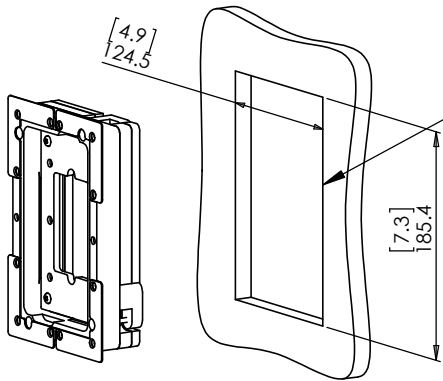
DWG NO. 10-04-435-SPC

Model No.: 10-01-435-BL/-WH/-WO

PRODUCT SPEC.

REVISION C

DATE 24/APR./2018



1. CUT OPENING - BOARD THICKNESS 10mm [0.39"]
UP TO 21mm [0.83"] (FOR BOARDS UP TO
32mm [1.25"] THICK, REINSTALL CAM LATCHES
UPSIDE DOWN.

2. ROUTE NECESSARY CABLES

3. INSERT WALL MOUNT BASE

DEPTH CALIBRATION SCREWS

4. GENTLY SCREW CLOCKWISE 4 RETENTION
SCREWS UNTIL CAM LATCHES RETAIN
THE UNIT.

5. ATTACH TOUCH SCREEN

6. ATTACH BEZEL (MAGNETICALLY)