



Model: WS FOR NEW ARCHITECTURAL 2G MATTE SOLID SURFACE

Family: WALL-SMART

DWG NO. 10-04-388-SPC



Model No.: 10-01-388

PRODUCT SPEC.

REVISION A

DATE 22/July/2016

Make Your Wall Smart

WS FOR NEW ARCHITECTURAL 2G MATTE SOLID SURFACE - Product description:

The "WS FOR NEW ARCHITECTURAL 2G MATTE SOLID SURFACE" is an adapter for 2 gang in-wall flush installation of a Lutron New Architectural Style high voltage products in solid surfaces.

The "WS FOR NEW ARCHITECTURAL 2G MATTE SOLID SURFACE" securely mounts the New Architectural Style faceplate & product while allowing easy access, insertion and removal.

Key features and benefits:

- Flush with the wall.
- Includes depth calibration mechanism and a spacer allowing installation in wide range of board thicknesses:
 - For installation in boards 3mm ~ 19 mm (0.12" ~ 0.75") thick, install spacer.
 - For installation in boards 14mm ~ 30.6mm (0.55" ~ 1.2") thick, do not install spacer.
- Allows easy maintenance access.
- Designed for the use with Lutron New Architectural Style products. (Lutron products and back box not included)
- Use the spacer frame as a routing template. In case a routing CAD file required contact support@wall-smart.com

Kit includes:

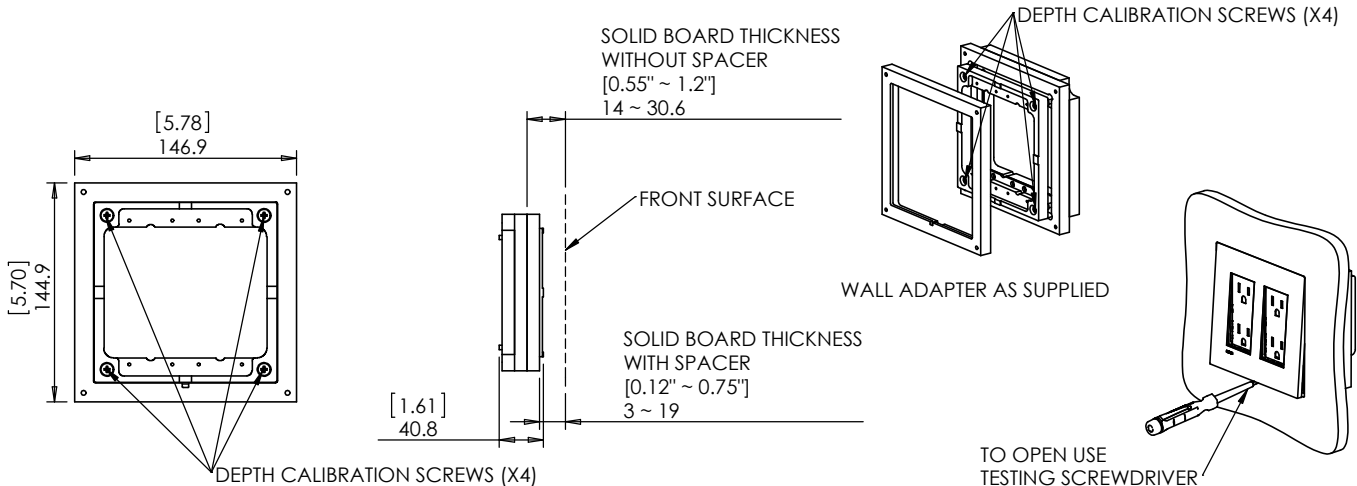
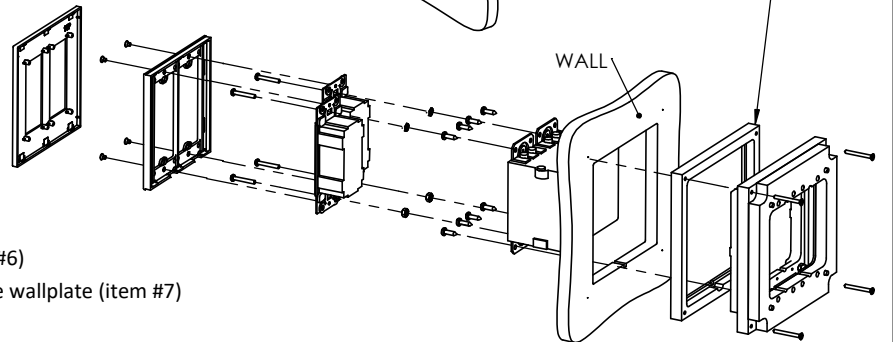
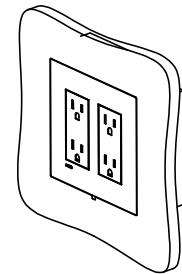
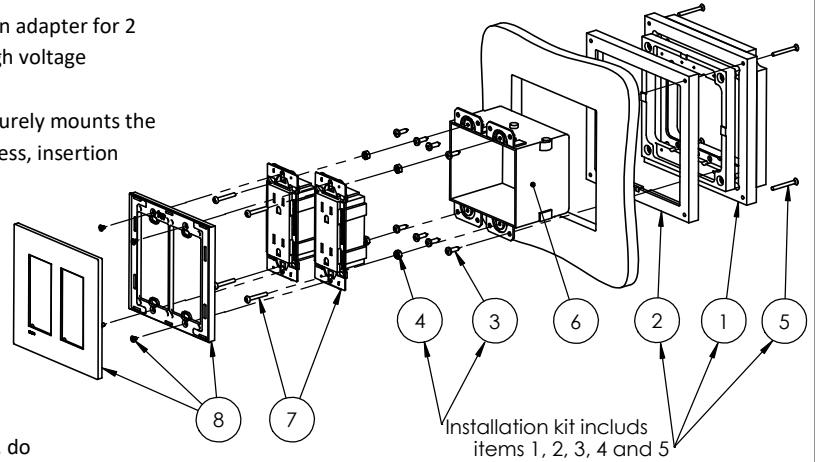
- (x1) Wall adaptor (item #1)
- (x1) Spacer frame / routing template (item #2)
- (x8) ST3 screws (item #3)
- (x4) Installation spacer (item #4)
- (x4) Adapter mounting screws ST3 X40mm (item #5)

Kit does not include:

- Metal back box, Hubbel-Raco 420 (or equivalent) (item #6)
- Lutron product to be installed in New Architectural Style wallplate (item #7)
- Lutron New Architectural Style wallplate (item #8)

Key properties:

- Dimensions (W/H/D): 146.9mm (5.78")/ 144.9mm (5.71")/ 40.8mm (1.61")
- Power Supply: None (manual adapter).
- Weight: 0.4Kg, 0.88lb.
- To be installed in 0.12" ~ 1.2" solid boards.
- Material: Moisture resistant MDF





Model: WS FOR NEW ARCHITECTURAL 1G MATTE SOLID SURFACE

Family: WALL-SMART

DWG NO. 10-04-388-SPC



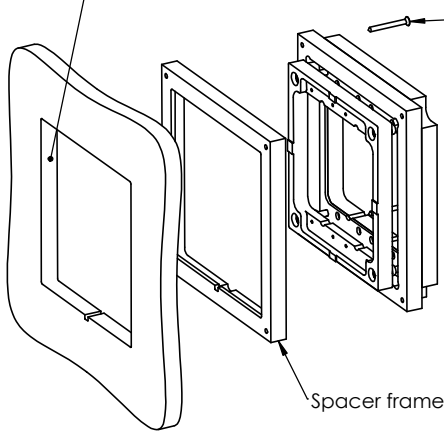
Model No.: 10-01-388

PRODUCT SPEC.

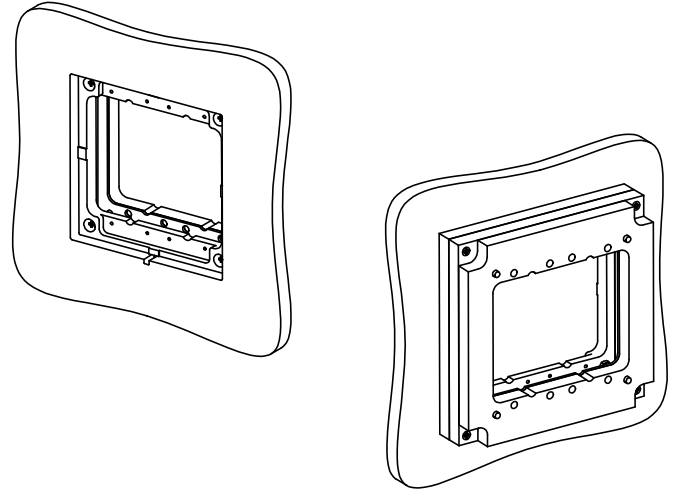
REVISION A

DATE 22/July/2016

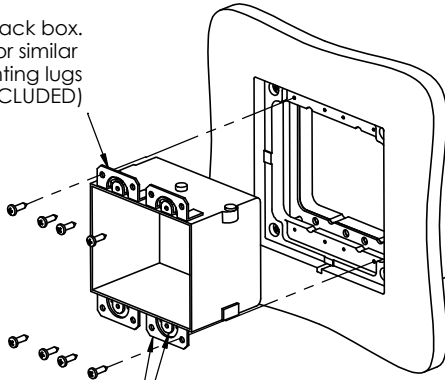
1. Route an opening in the solid board.
Use the spacer frame as routing template.



2. Position the adaptor symmetrically in the opening and retain the adaptor using 4 screws or structural adhesive.
- For installation in boards 3mm ~ 19 mm (0.12" ~ 0.75") thick, install spacer.
- For installation in boards 14mm ~ 30.6mm (0.55" ~ 1.2") thick, do not install spacer.



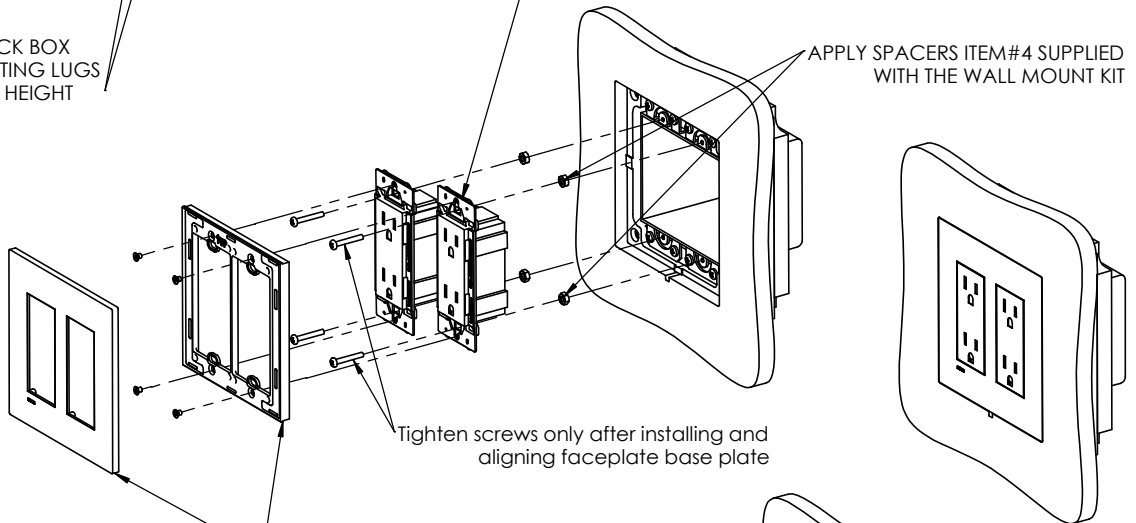
3. Install back box.
Hubbel-Raco 420 Box or similar box with similar mounting lugs (BOX NOT INCLUDED)



BEFORE INSTALLING BACK BOX
VERIFY THAT THE MOUNTING LUGS
ARE ALIGNED TO SAME HEIGHT

4. Install Lutron products compatible with Lutron New Architectural style faceplate

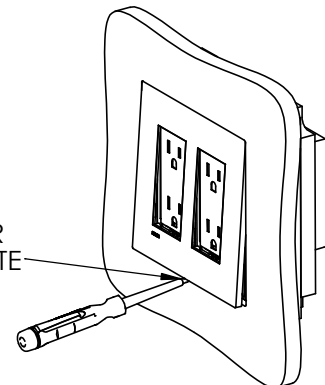
APPLY SPACERS ITEM#4 SUPPLIED WITH THE WALL MOUNT KIT



Tighten screws only after installing and aligning faceplate base plate

5. Install Lutron New Architectural style faceplate

MAINTENANCE: USE TESTING SCREW DRIVER TO REMOVE TOP FACE PLATE





Model: WS FOR NEW ARCHITECTURAL
1G MATTE SOLID SURFACE

Family: WALL-SMART

DWG NO. 10-04-388-SPC

Model No.: 10-01-388

PRODUCT SPEC.

REVISION A

DATE 22/Feb./2016



ROUTING TEMPLATE 1:1

