



Model:
WS FOR NEW ARCHITECTURAL 1G MATTE

Family: WALL-SMART
DWG NO. 10-04-381-SPC



Model No.: 10-01-381

PRODUCT SPEC.

REVISION A
DATE 17/Apr./2016

Make Your Wall Smart

WS FOR NEW ARCHITECTURAL 1G MATTE - Product description:

The "WS FOR NEW ARCHITECTURAL 1G MATTE" is an adapter for 1 gang in-wall flush installation of Lutron new architectural style products (matte faceplate).

The "WS FOR NEW ARCHITECTURAL 1G MATTE" securely mounts the new architectural style products while allowing easy access, insertion and removal.

Key features and benefits:

- Flush with the wall.
- Wall adapter paintable with the wall paint in any color and texture.
- Allows easy maintenance access.
- The adapter is supplied unpainted (To be painted after installation as part of the wall).
- Installation of the Wall-Smart adapter is straight-forward. Installation process is similar to drywall construction procedures. Install according Wall-Smart installation instruction 10-04-00101-INS
- Designed for the use with Lutron new architectural matte faceplate. (Lutron products and back box not included)

Kit includes:

- (x1) Wall adapter (item #1)
- (x4) ST2.9 screws (item #3)
- (x2) Installation spacer (item #4)

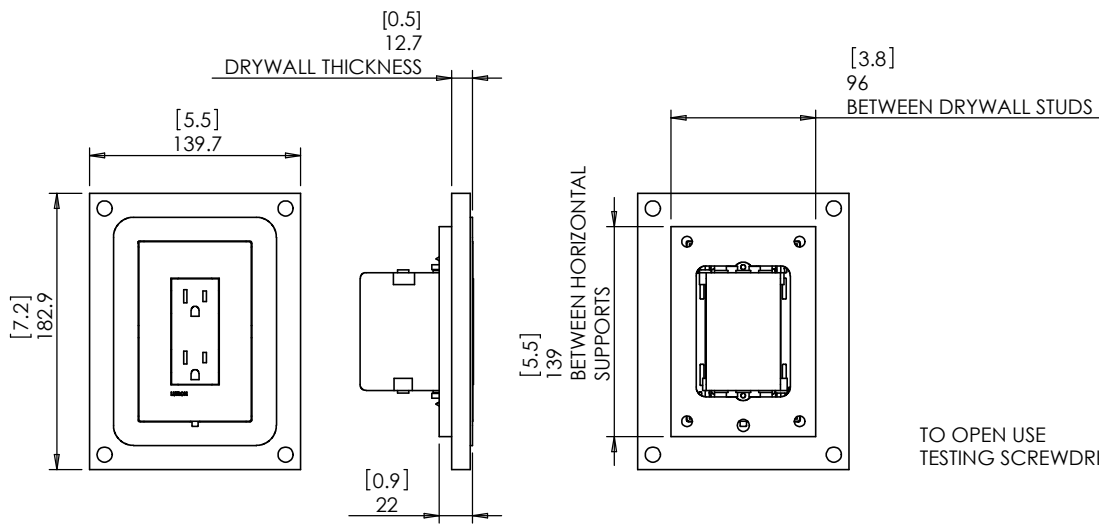
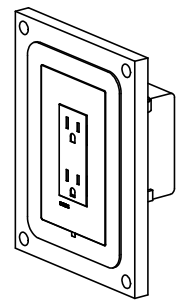
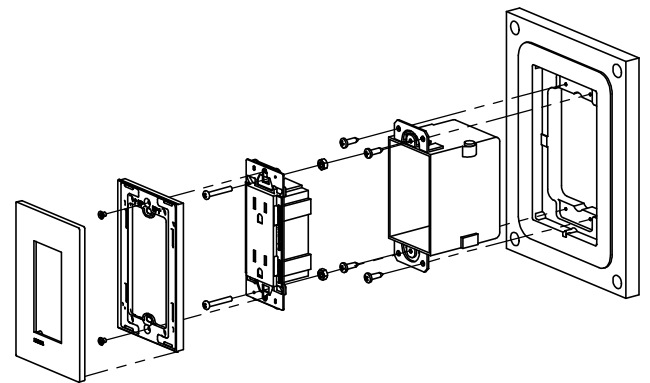
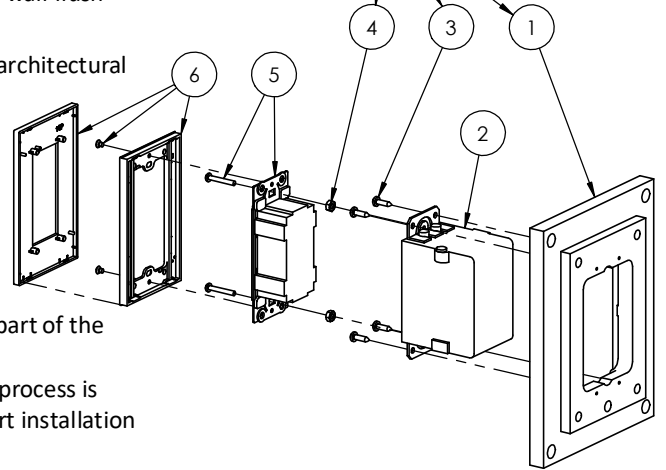
Kit does not include:

- (x1) Hubbel-Raco 420 Box (or equivalent) (item #2)
- (x1) Lutron product to be installed in Designer Style wallplate (item #5)
- (x1) Lutron new architectural matte faceplate (item #6)

Key properties:

- Dimensions (W/H/D): 139.7mm (5.5")/ 182.9mm (7.2")/ 22mm (0.9")
- Power Supply: None (manual adapter).
- Weight: 0.24Kg, 0.53lb.
- To be installed in 1/2" drywall.

Installation kit includes only items 1, 3 and 4





Model:
WS FOR NEW ARCHITECTURAL 1G MATTE

Family: WALL-SMART
DWG NO. 10-04-381-SPC

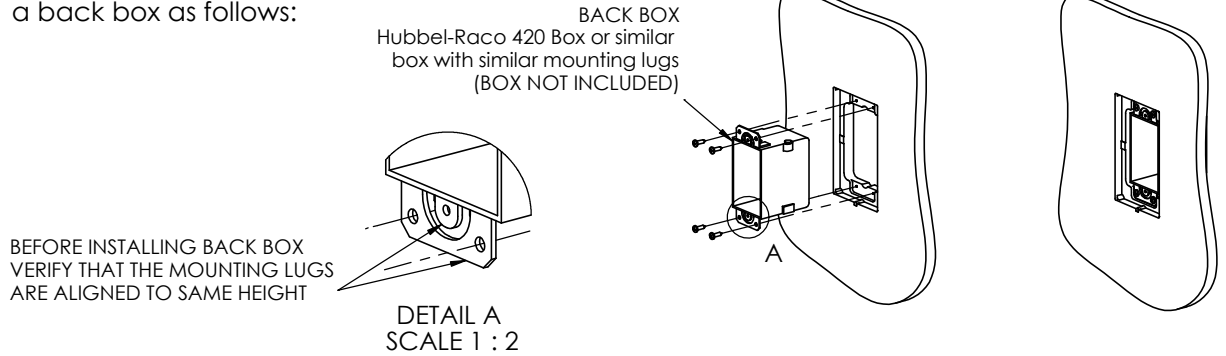


Model No.: 10-01-381

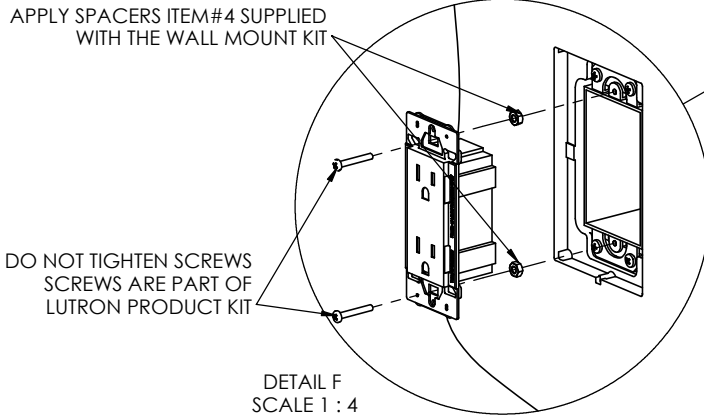
PRODUCT SPEC.

REVISION A
DATE 17/Apr./2016

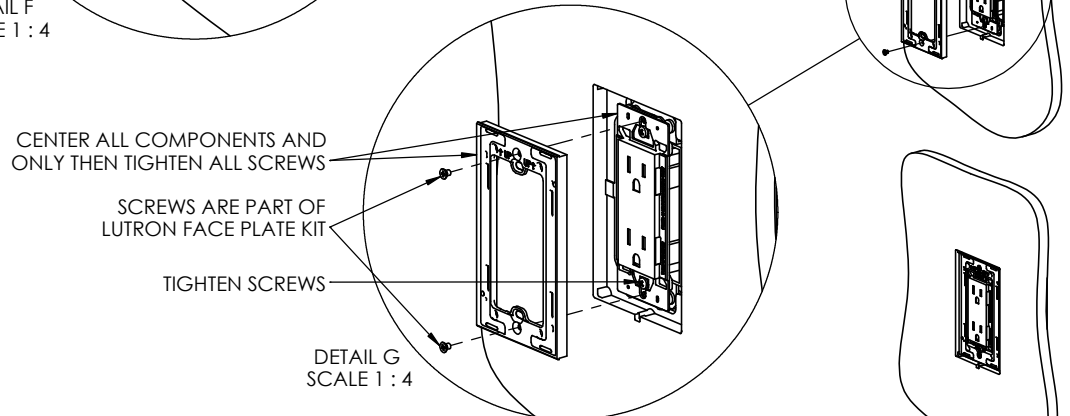
STEP 1: After installainga the wall mount according Wall-Smart installation instruction 10-04-00101-INS, Install a back box as follows:



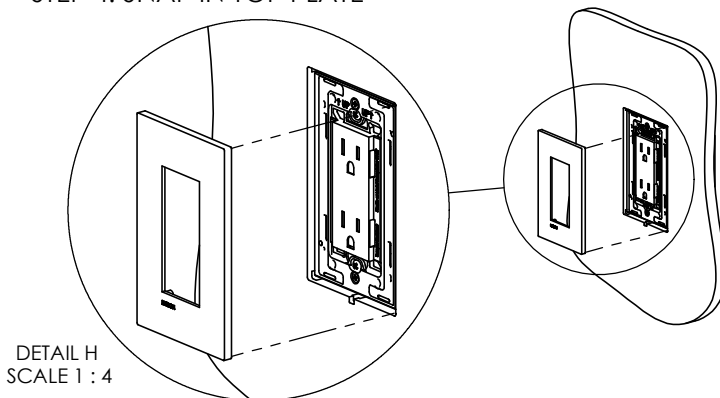
STEP 2: INSTALL LUTRON PRODUCT COMPATIBLE WITH LUTRON NEW ARCHITECTURAL STYLE FACEPLATES



STEP 3: INSTALL LUTRON FACE PLATE - BACK FRAME



STEP 4: SNAP IN TOP PLATE



MAINTENANCE:
USE TESTING SCREW DRIVER TO REMOVE TOP FACE PLATE

