



Model: WS for PALLADIOM SQUARE 1 COLUMN MATTE

Model No.: 10-01-349

Family: WALL-SMART

DWG NO. 10-04-349-SPC

PRODUCT SPEC.

REVISION A

DATE 05/AUG./2015



Make Your Wall Smart

“WS for PALLADIOM SQUARE 1 COLUMN MATTE” - Product description:

The “WS for PALLADIOM SQUARE 1 COLUMN MATTE” is an adapter for in-wall flush installation of PALLADIOM SQUARE 1 COLUMN MATTE keypad. The “WS for PALLADIOM SQUARE 1 COLUMN MATTE” securely mounts the keypad while allowing easy access, insertion and operation.

Key features and benefits:

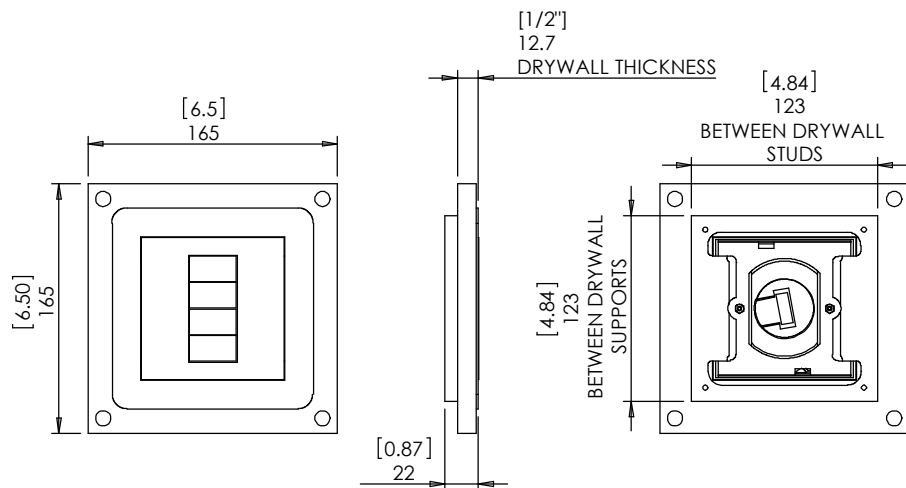
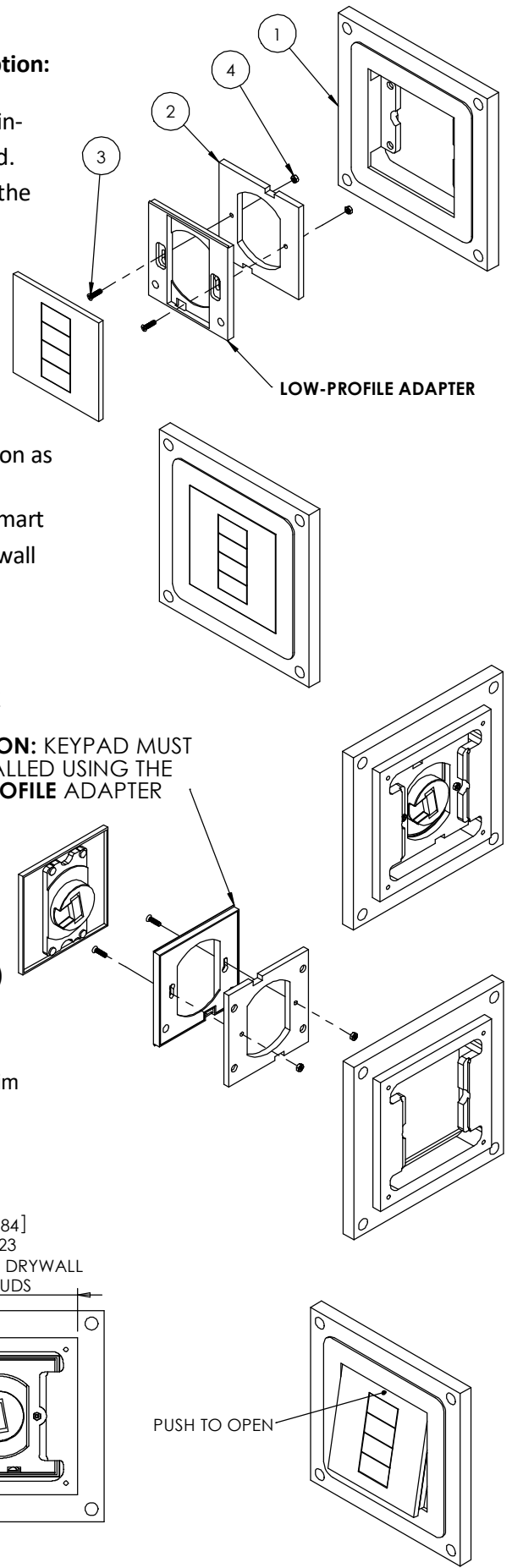
- Flush with the wall.
- Paintable with the wall paint in any color and texture.
- Allows easy insertion and removal of the keypad.
- The adapter is supplied unpainted (To be painted after installation as part of the wall).
- Designed to be installed in 1/2" drywall. Installation of the Wall-Smart adapter is straight-forward. Installation process is similar to drywall construction procedures. Before installation, read Wall-Smart installation instruction 10-04-00101-INS in <http://www.wall-smart.com/faq>
- Designed for the use with PALLADIOM SQUARE 1 COLUMN MATTE keypad (by Lutron) (keypad is not included).
- Adapter kit contains:

1. Wall adapter (X1)
2. Keypad adapter (X1)
3. CS M3x12 screws (X2)
4. M3 nuts (X2)

ATTENTION: KEYPAD MUST BE INSTALLED USING THE **LOW-PROFILE ADAPTER**

Key properties:

- Dimensions (W/H/D): 165mm (6.5")/ 165mm (6.5")/ 22mm (0.87")
- Power Supply: None (manual adapter).
- Weight: 0.25Kg, 0.55lbs.
- Material: Moisture resistant MDF
- To be installed in 1/2" drywall (for installation in 5/8" drywall use 1/8" shim pack P/N 10-01-067 (sold separately)).



PUSH TO OPEN