



Model: WS for PALLADIOM
1GANG US MATTE

Family: WALL-SMART

DWG NO. 10-04-348-SPC

Model No.: 10-01-348

PRODUCT SPEC.

REVISION A

DATE 05/AUG./2015



Make Your Wall Smart

“WS for PALLADIOM 1GANG US MATTE” - Product description:

The “WS for PALLADIOM 1GANG US MATTE” is an adapter for in-wall flush installation of PALLADIOM 1GANG US MATTE keypad.

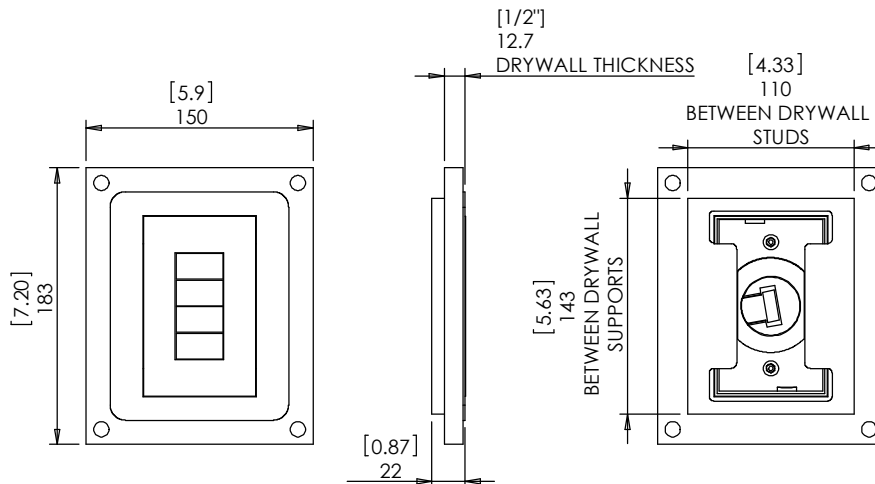
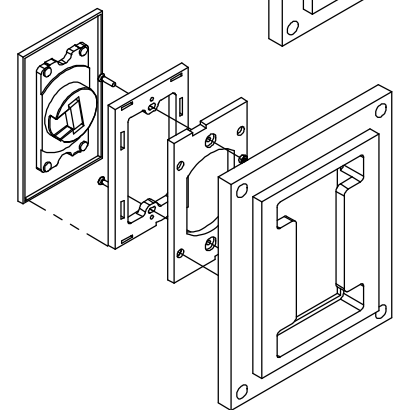
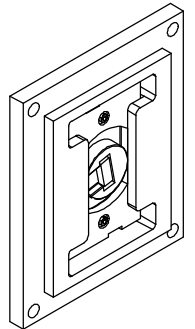
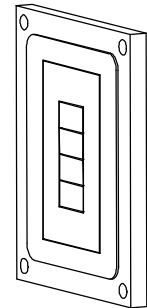
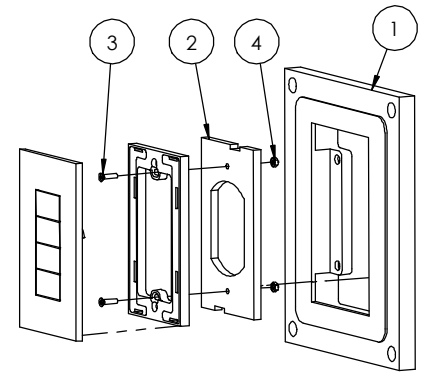
The “WS for PALLADIOM 1GANG US MATTE” securely mounts the keypad while allowing easy access, insertion and operation.

Key features and benefits:

- Flush with the wall.
- Paintable with the wall paint in any color and texture.
- Allows easy insertion and removal of the keypad.
- The adapter is supplied unpainted (To be painted after installation as part of the wall).
- Designed to be installed in 1/2" drywall. Installation of the Wall-Smart adapter is straight-forward. Installation process is similar to drywall construction procedures. Before installation, read Wall-Smart installation instruction 10-04-00101-INS in <http://www.wall-smart.com/faq>
- Designed for the use with PALLADIOM 1GANG US MATTE keypad (by Lutron) (keypad is not included).
- Adapter kit contains:
 1. Wall adapter;
 2. Keypad adapter;
 3. (X2) M3x12 screws
 4. (X2) M3 nuts

Key properties:

- Dimensions (W/H/D): 150mm (5.9")/ 183mm (7.2")/ 22mm (0.87")
- Power Supply: None (manual adapter).
- Weight: 0.26Kg, 0.6lbs.
- Material: Moisture resistant MDF
- To be installed in 1/2" drywall (for installation in 5/8" drywall use 1/8" shim pack P/N 10-01-067 (sold separately)).



PUSH TO OPEN

