



Model: WS FOR HONEYWELL
6280 TUXEDO TOUCH

Family: WALL-SMART

DWG NO. 10-04-331-SPC



Model No.: 10-01-331

PRODUCT SPEC.

REVISION A

DATE 31/MAY/2015

Make Your Wall Smart

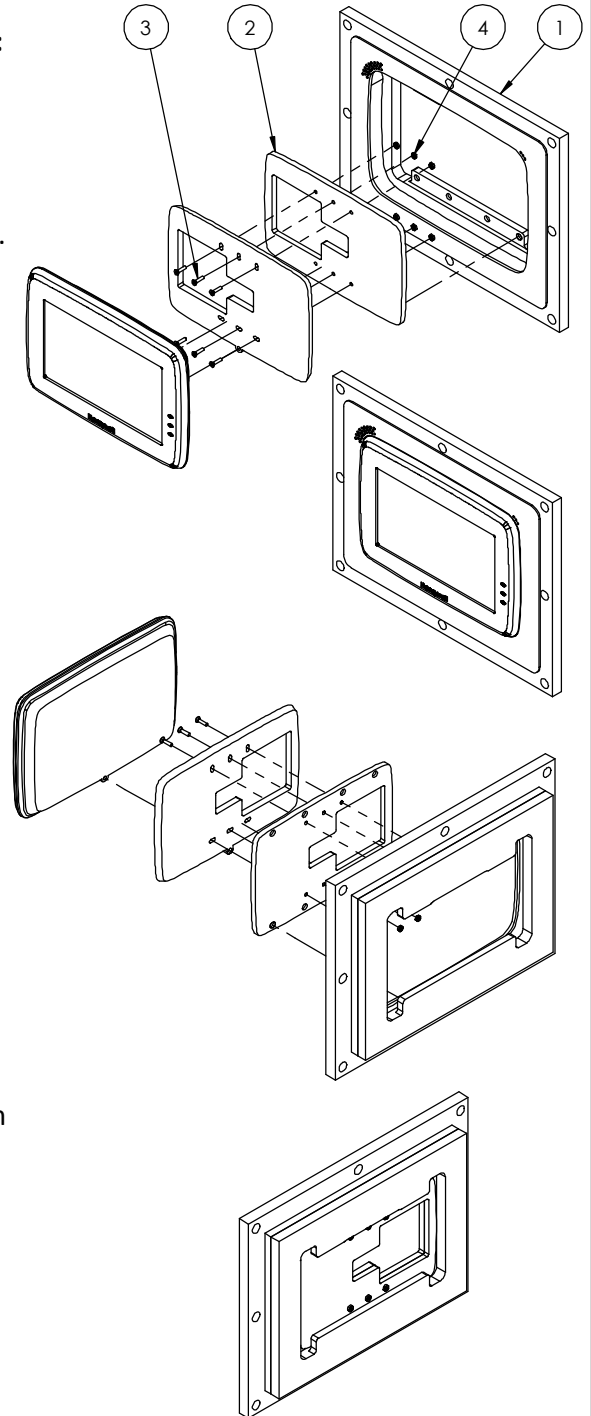
“WS FOR HONEYWELL 6280 TUXEDO TOUCH” - Product description:

The “WS FOR HONEYWELL 6280 TUXEDO TOUCH” is an adapter for in-wall flush installation of HONEYWELL 6280 touch screen.

The “WS FOR HONEYWELL 6280 TUXEDO TOUCH” securely mounts the touch screen while allowing easy access, insertion and operation.

Key features and benefits:

- Flush with the wall.
- Paintable with the wall paint in any color and texture.
- Allows easy insertion and removal of the touch screen.
- The adapter is supplied unpainted (To be painted after installation as part of the wall).
- Designed to be installed in ½” drywall. Installation of the Wall-Smart adapter is straight-forward. Installation process is similar to drywall construction procedures. Before installation, read Wall-Smart installation instruction 10-04-00101-INS in <http://www.wall-smart.com/faq>
- Designed for the use with 6280 Tuxedo touch screen (by HONEYWELL) (touch screen and back box not included).
- Adapter kit contains:
 1. Wall adapter;
 2. Touch screen adapter;
 3. (X6) M3x12 screws
 4. (X6) M3 nuts



Key properties:

- Dimensions (W/H/D): 287.6mm (11.3")/ 220.2mm (8.67")/ 32.6mm (1.28")
- Power Supply: None (manual adapter).
- Weight: 0.69Kg, 1.52lbs.
- Material: Moisture resistant MDF
- To be installed in ½” drywall (for installation in 5/8” drywall use 1/8” shim pack P/N 10-01-067 (sold separately)).

