



Model: WS FOR RTI RKM-1 RK1-

Family: WALL-SMART

DWG NO. 10-04-309-SPC

Model No.: 10-01-309

PRODUCT SPEC.

REVISION A

DATE 14/June/2015



### Make Your Wall Smart

#### “WS FOR RTI RKM-1 RK1-“ Product description:

The “WS FOR RTI RKM-1 RK1-“ is an adapter for in-wall flush installation of a RKM-1 & RK1-keypads.

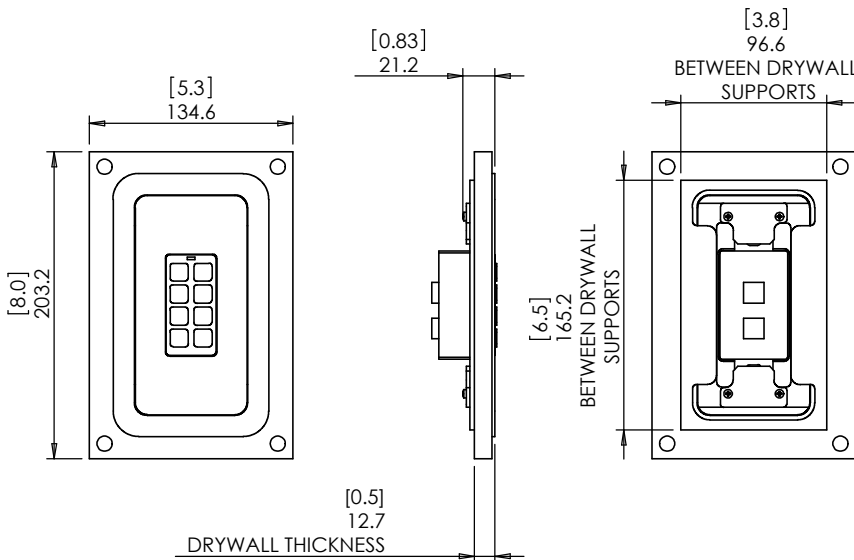
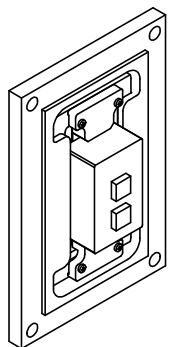
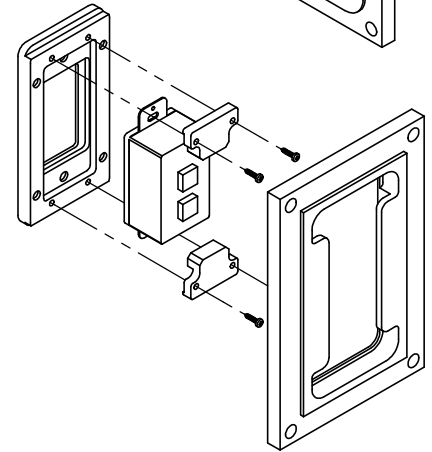
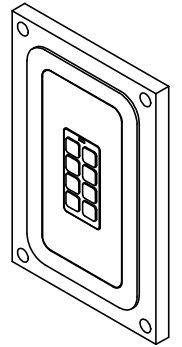
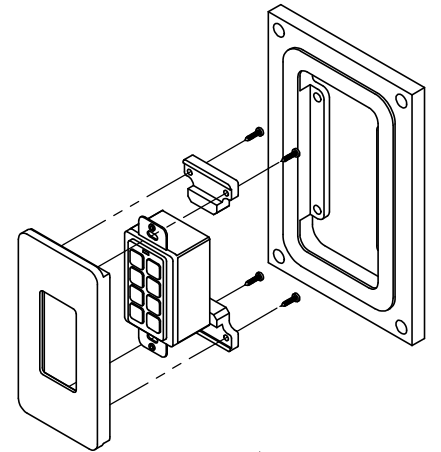
The “WS FOR RTI RKM-1 RK1-“ securely mounts the keypad while allowing easy access, insertion and operation.

#### Key features and benefits:

- Flush with the wall.
- Paintable with the wall paint in any color and texture.
- Allows easy insertion and removal of the keypad by manual push and magnet detachment of the keypad tray.
- The adapter is supplied unpainted (To be painted after installation as part of the wall).
- Designed to be installed in ½” drywall. Installation of the Wall-Smart adapter is straightforward. Installation process is similar to drywall construction procedures. Before installation, read Wall-Smart installation instruction 10-04-00101-INS in <http://www.wall-smart.com/faq>
- For installation in concrete/block wall use “WS Concrete Box 204x135” P/N 10-01-115 (sold separately) according installation instruction 10-04-00103-INS in <http://www.wall-smart.com/faq>
- Designed for the use with RKM-1 & RK1- keypads (by RTI) (keypad not included).
- Adapter kit contains:
  1. Wall adapter;
  2. Keypad adapter;
  3. (4x) ST2.9 Screw;
  4. (2x) Retainer;

#### Key properties:

- Dimensions (W/H/D): 134.6 mm (5.3")/ 203.2mm (8")/ 21.3mm (0.84")
- Power Supply: None (manual adapter).
- Weight: 0.3Kg, 0.7lbs.
- To be installed in ½” drywall.



PUSH TO OPEN