



Model:
WS for Lutron Designer Style 1Gang 5/8"

Family: WALL-SMART
DWG NO. 10-04-306-SPC



Model No.: 10-01-306

PRODUCT SPEC.

REVISION A
DATE 18/Mar./2015

Make Your Wall Smart

Wall-Smart for Lutron Designer Style 1Gang - Product description:

The Wall-Smart for Lutron Designer Style 1Gang is an adapter for 1 gang in-wall flush installation of a Lutron Designer style faceplate and high voltage decora® style accessories.

The Wall-Smart for Lutron Designer Style 1Gang securely mounts the designer stile products while allowing easy access, insertion and removal.

For 2 gang installation use Wall-smart P/N 10-01-307
For 3 gang installation use Wall-smart P/N 10-01-308

Key features and benefits:

- Flush with the wall.
- Wall adapter paintable with the wall paint in any color and texture.
- Allows easy maintenance access.
- The adapter is supplied unpainted (To be painted after installation as part of the wall).
- Installation of the Wall-Smart adapter is straight-forward. Installation process is similar to drywall construction procedures.
- Designed for the use with Lutron Designer Style faceplate. (Lutron Designer style faceplate, high voltage decora® style accessories and back box are not included)

Kit includes:

- (x1) Wall adapter (item #1)
- (x4) ST2.9 screws (item #3)
- (x2) Installation spacer (item #4)

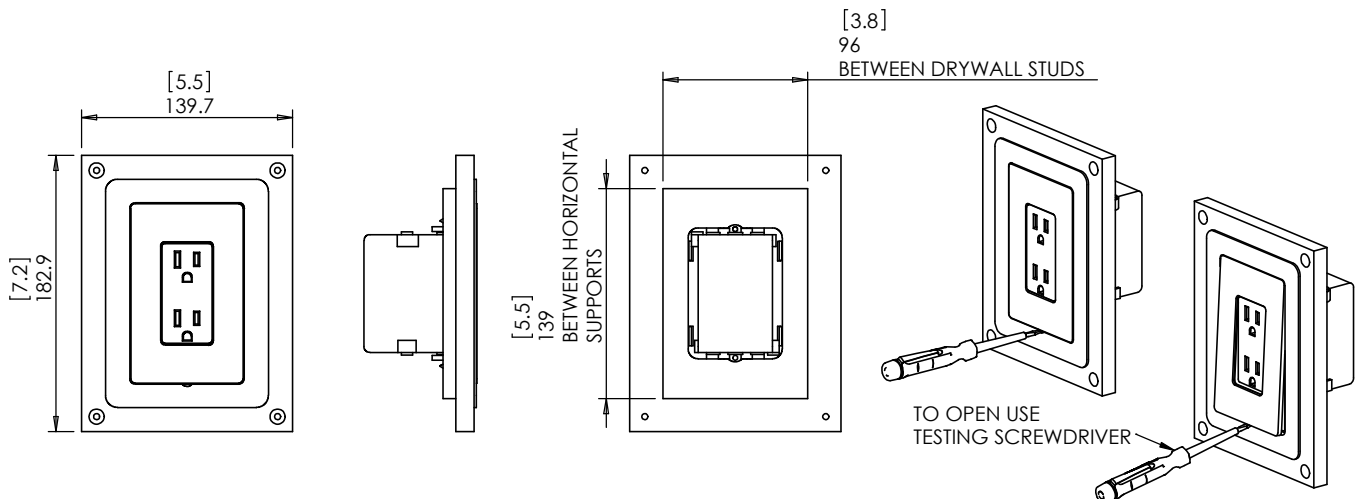
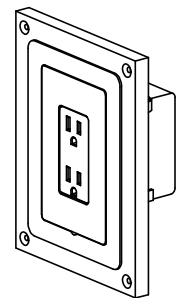
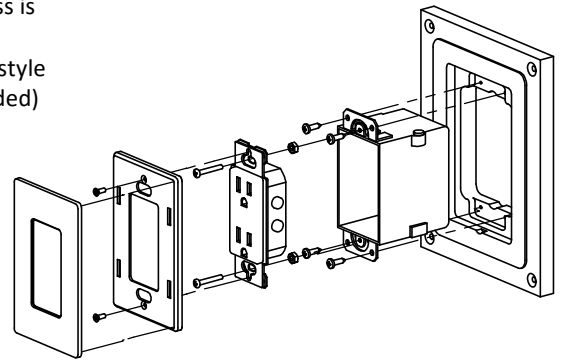
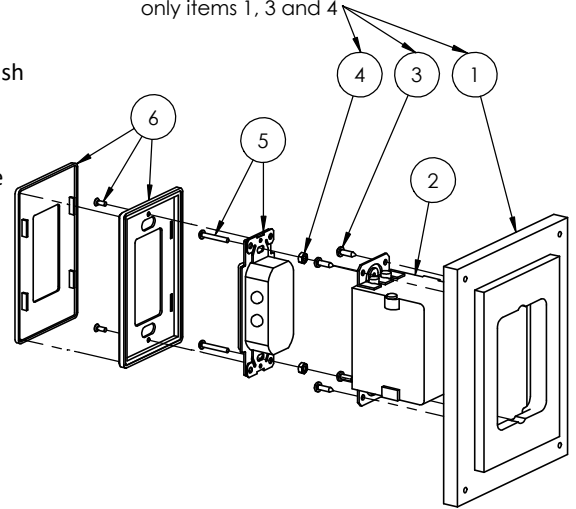
Kit does not include:

- (x1) Hubbel-Raco 420 Box (or equivalent) (item #2)
- (x1) Lutron product to be installed in Designer Style wallplate (item #5)
- (x1) Lutron Designer Style wallplate (item #6)

Key properties:

- Dimensions (W/H/D): 139.7mm (5.5")/ 182.9mm (7.2")/ 55mm (0.9")
- Power Supply: None (manual adapter).
- Weight: 0.24Kg, 0.53lb.
- To be installed in 5/8" drywall.

Installation kit includes only items 1, 3 and 4





Model:
WS for Lutron Designer Style 1Gang 5/8"

Family: WALL-SMART
DWG NO. 10-04-306-SPC



Model No.: 10-01-306

PRODUCT SPEC.

REVISION A
DATE 18/Mar./2015

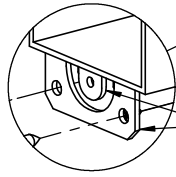
STEP 1:

INSTALL HORIZONTAL SUPPORTS
(NOT INCLUDED)

A good choice for horizontal supports are telescoping box mounting brackets installed on stud faces without bending their fixing plates. Horizontal supports may be made on site of drywall U tracks.

INSTALL WALL ADAPTER

INSTALL BACK BOX
Hubbel-Raco 420 Box or similar
box with similar mounting lugs
(BOX NOT INCLUDED)



DETAIL A
SCALE 1 : 2

BEFORE INSTALLING BACK BOX
VERIFY THAT THE MOUNTING LUGS
ARE ALIGNED TO SAME HEIGHT

STEP 2: INSTALL DRYWALL

BEFORE APPLYING TAPE, FILL GAPS
WITH SETTING-TYPE COMPOUND

**STEP 3: PERFORM DRYWALL INSTALLATION
MUD & TAPE PROCEDURE**

APPLY JOINT COMPOUND TO
EXTERNAL GROOVE ONLY

APPLY PAPER TAPE

SAND JOINT COMPOUND TO
REVEIL FRONT WALL ADAPTER SURFACE

STEP 4: PAINT

KEEP INTERNAL SURFACES FREE OF JOINT COMPOUND, PLASTER, PUTTY OR PAINT



Model:
WS for Lutron Designer Style 1Gang 5/8"

Family: WALL-SMART
DWG NO. 10-04-306-SPC



Model No.: 10-01-306

PRODUCT SPEC.

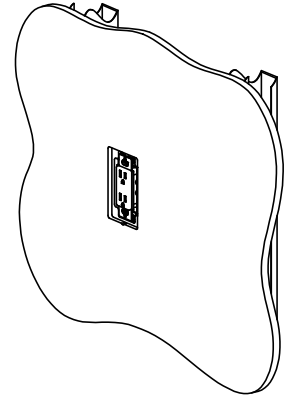
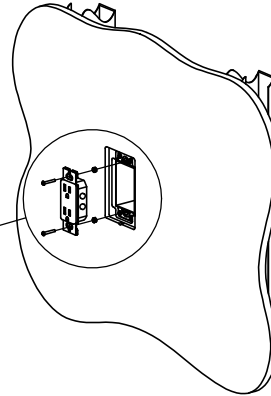
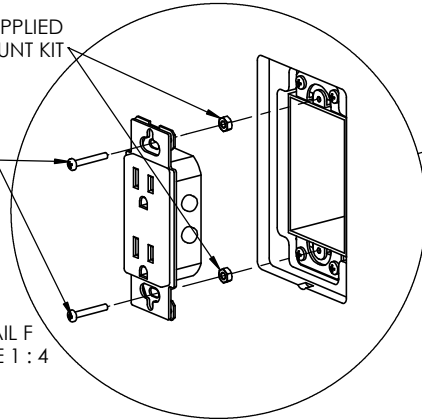
REVISION A
DATE 18/Mar./2015

STEP 5: INSTALL LUTRON PRODUCT COMPATIBLE WITH LUTRON DESIGNER STYLE FACEPLATES

APPLY SPACERS ITEM#4 SUPPLIED WITH THE WALL MOUNT KIT

DO NOT TIGHTEN SCREWS
SCREWS ARE PART OF LUTRON PRODUCT KIT

DETAIL F
SCALE 1 : 4

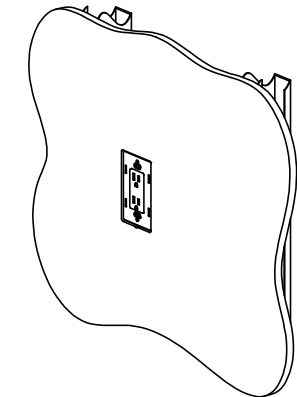
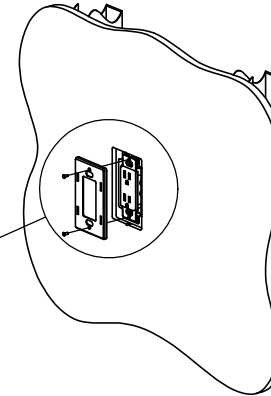
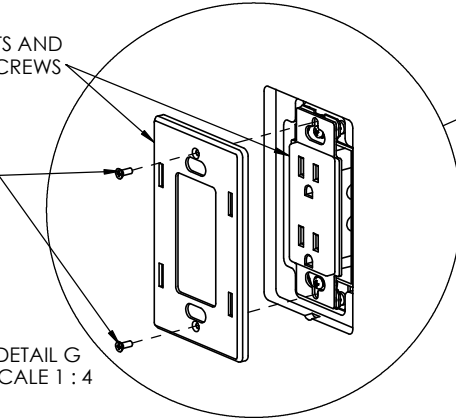


STEP 6: INSTALL LUTRON DESIGNER STYLE FACE PLATE - BASE PLATE

CENTER ALL COMPONENTS AND ONLY THEN TIGHTEN ALL SCREWS

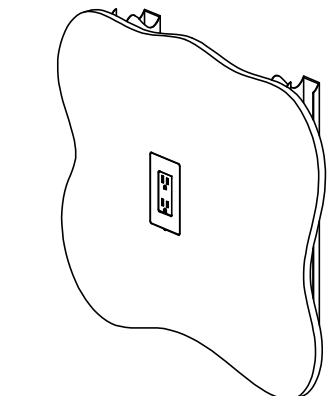
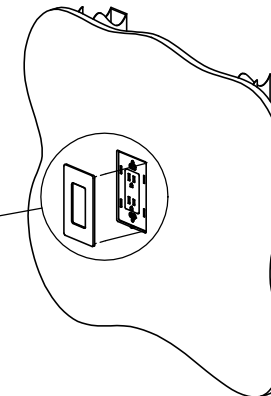
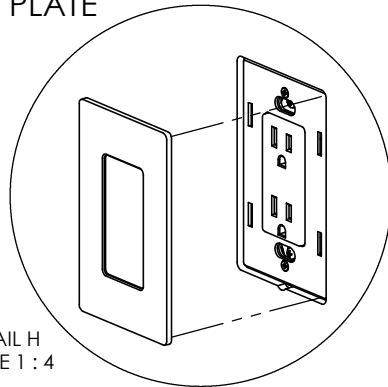
SCREWS ARE PART OF LUTRON FACE PLATE KIT

DETAIL G
SCALE 1 : 4



STEP 7: SNAP IN TOP PLATE

DETAIL H
SCALE 1 : 4



MAINTENANCE: USE TESTING SCREW DRIVER TO REMOVE TOP FACE PLATE

DETAIL I
SCALE 1 : 1

