



Model: INVISIBLE MOUNT FOR iPad - SOLID S.

Family: WALL-SMART

DWG NO. 10-01-299-SPC



Model No.: 10-01-299

PRODUCT SPEC.

REVISION C

DATE 17/JULY/2018

Make Your Wall Smart

"INVISIBLE MOUNT FOR iPad - SOLID S." - Product description:

The "INVISIBLE MOUNT FOR iPad - SOLID S." is an adapter for in-wall flush installation of iPad Air®

The "INVISIBLE MOUNT FOR iPad - SOLID S." firmly mounts the iPad Air® while allowing easy insertion, removal and operation.

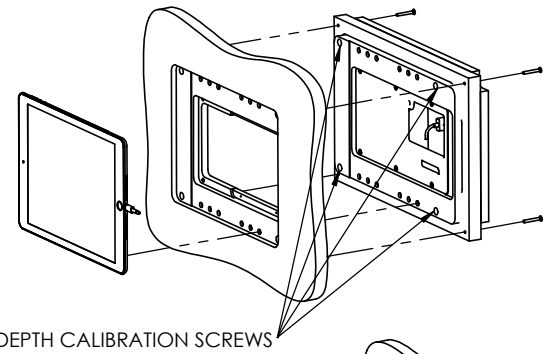
Key features and benefits:

- Flush with the solid surface wall.
- Wall mount may be mounted in any orientation.
- The iPad home button remains accessible.
- Allows easy insertion and removal of the iPad.
- Wall mount contains depth calibration screws allowing installation in solid surface boards of 11.6 [0.46"] up to 28.5 [1.12"] thickness.
- See page 2 for routing dimensions. Contact Wall-Smart for routing DXF file.
- Designed for the use with iPad Air® (by Apple) (iPad is not included).
- Adapter kit contains:
 1. (X1) Wall adapter;
 2. (X2) Wall-Smart rubber pads;
 3. (X1) Wall-Smart Pad Positioning Template

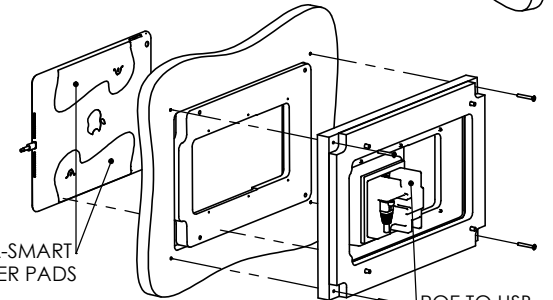
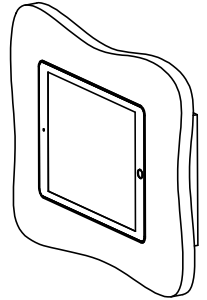
Key properties:

- Dimensions: (W/H/D): 304mm (11.969")/ 202.5mm (7.972")/ 80.7mm (3.175")
- Power Supply: Wall mount includes POE to USB converter.
The installer should connect the wall mount to an IEEE 802.3af POE power source via CAT5/6 cable and RJ45 connector
- Weight: 1.1Kg, 2.42lbs.
- Material: Moisture resistant MDF

iPad® is a trademark of Apple Inc., registered in the U.S. and other countries.

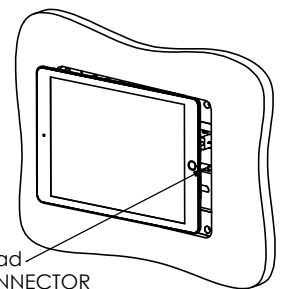
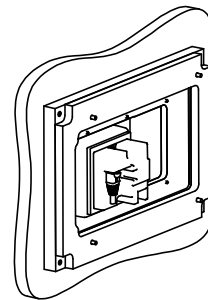


DEPTH CALIBRATION SCREWS

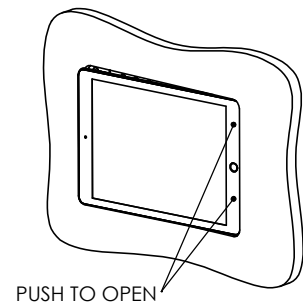
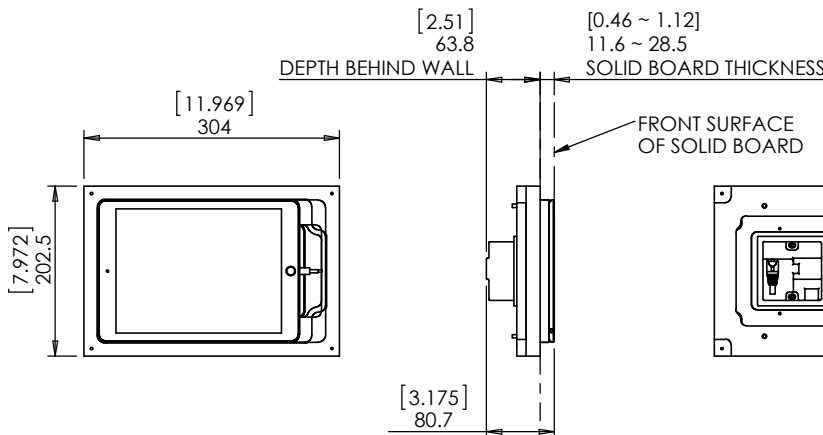


WALL-SMART RUBBER PADS

POE TO USB CONVERTER



TO MOUNT THE iPad
INSERT APPLE CONNECTOR
AND MAGNETICALLY DROP
iPad IN PLACE.



PUSH TO OPEN



Model: INVISIBLE MOUNT FOR iPad - SOLID S.
 Model No.: 10-01-299

Family: WALL-SMART
 DWG NO. 10-01-299-SPC



PRODUCT SPEC. REVISION C
 DATE 17/JULY/2018

CUTOUT ROUTING TEMPLATE

VIEW FROM INNER SIDE OF SOLID BOARD

SCALE 1:1

CONTACT WALL-SMART FOR DXF FILE

$[6.713 \begin{matrix} +0.012 \\ -0.008 \end{matrix}]$
 $+0.3$
 170.5 -0.2 ROUTE THRU

$[9.488 \begin{matrix} +0.012 \\ -0.008 \end{matrix}]$
 $+0.3$
 241 -0.2 ROUTE THRU

by Wall-Smart Ltd.
 www.wall-smart.com

UNLESS OTHERWISE SPECIFIED:
 DIMENSIONS ARE IN MILLIMETERS

INFORMATION CONTAINED HEREIN IS PROPRIETARY AND MAY NOT BE USED,
 REPRODUCED OR COPIED WITHOUT WRITTEN CONSENT OF WALL-SMART

SHEET 2/4

$[0.965 \pm 0.020]$
 24.5 ±0.5
 ROUTE TO DEPTH
 1mm FROM FRONT
 SURFACE

$[1.142 \pm 0.020]$
 29 ±0.5

$[10.709 \pm 0.020]$
 272 ±0.5
 ROUTE TO DEPTH
 3mm FROM FRONT
 SURFACE

MARK SCREW POINTS

184.500

286

7

$[0.395]$
 R10 TYP



Model: INVISIBLE MOUNT FOR iPad - SOLID S.

Family: WALL-SMART

DWG NO. 10-01-299-SPC

Model No.: 10-01-299

PRODUCT SPEC.

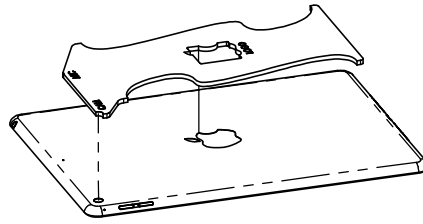
REVISION C

DATE 17/JULY/2018

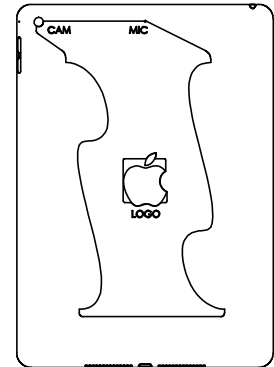


Wall-Smart rubber pads installation:

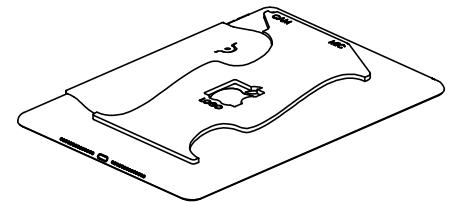
1. Clean iPads back surface.
2. Position template.



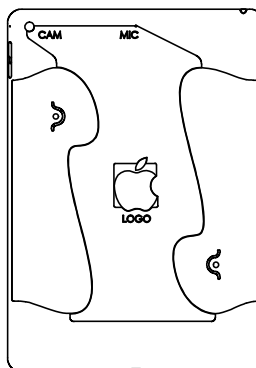
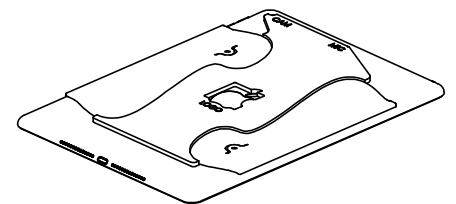
3. Align template cutouts with Apple logo and cam and mic.



4. Remove protective tape of a rubber pad back adhesive.
5. Align rubber pad to template while maintaining the position of the template.
6. Adhere the rubber pad to the iPad gradually from template to the iPad edge



7. Press down from the center of the rubber pad and towards the pad edges to remove air bubbles.
8. Push down the edges of the rubber pad to close all gaps.
9. Repeat steps 4-8 for the second rubber pad.
10. Remove the template and wait 6mins before mounting.





Model: INVISIBLE MOUNT FOR iPad - SOLID S.

Family: WALL-SMART

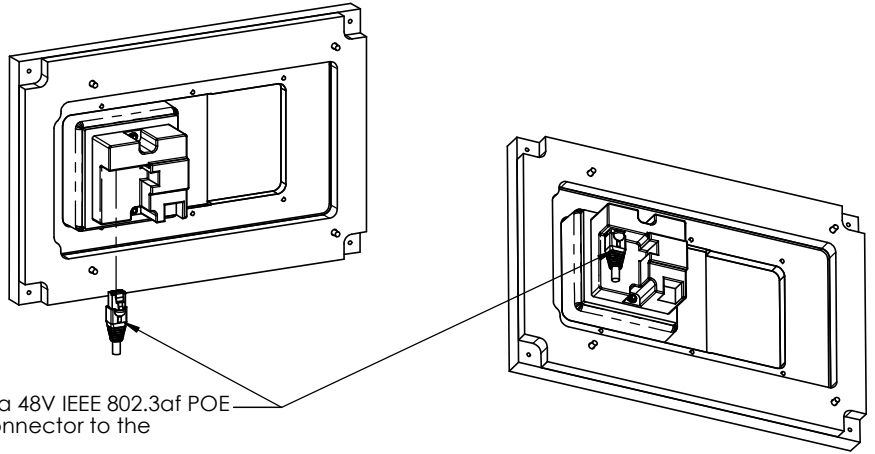
DWG NO. 10-01-299-SPC

Model No.: 10-01-299

PRODUCT SPEC.

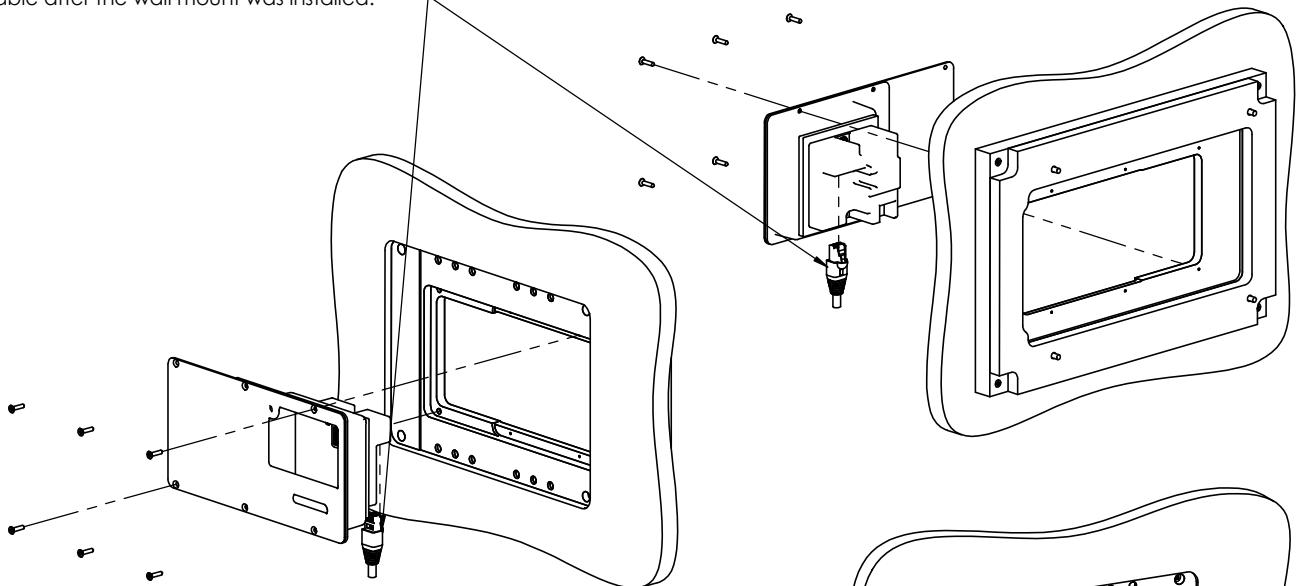
REVISION C

DATE 17/JULY/2018



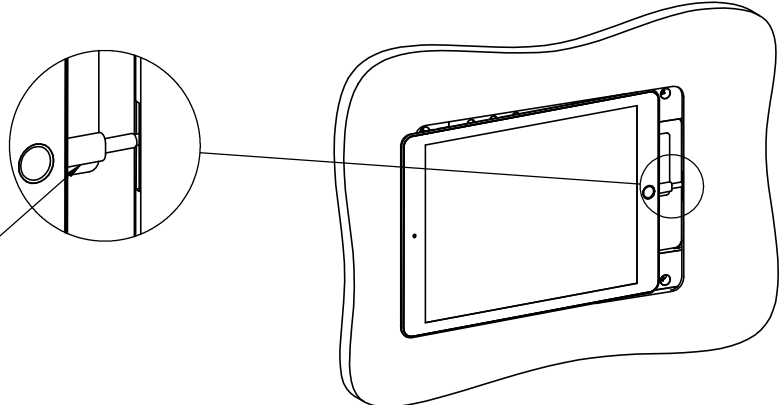
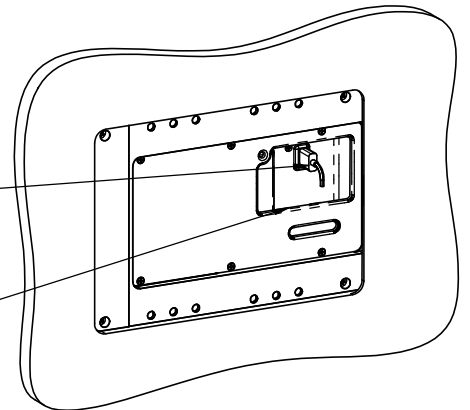
Before installation of the wall mount, connect a 48V IEEE 802.3af POE power source via a CAT5/6 cable and RJ45 connector to the POE to USB converter.

If required, it is possible to unscrew 6 screws, remove the back wall and connect POE cable after the wall mount was installed.



Connect iPad USB cable to POE to USB converter

Organize the cable in the cable tray



Connect lightning connector to the iPad and insert iPad