



Model: WS FOR CONTROL4 T3
10" TOUCH SCREEN

Model No.: 10-01-291

Family: WALL-SMART

DWG NO. 10-04-291-SPC

PRODUCT SPEC.

REVISION B

DATE 22/Feb./2015



Make Your Wall Smart

“WS FOR CONTROL4 T3 10” TOUCH SCREEN” - Product description:

The “WS FOR CONTROL4 T3 10” TOUCH SCREEN” is an adapter for in-wall flush installation of T3 Control 4 10” touch screen.
The “WS FOR CONTROL4 T3 10” TOUCH SCREEN” securely mounts the touch screen while allowing easy access, insertion and operation.

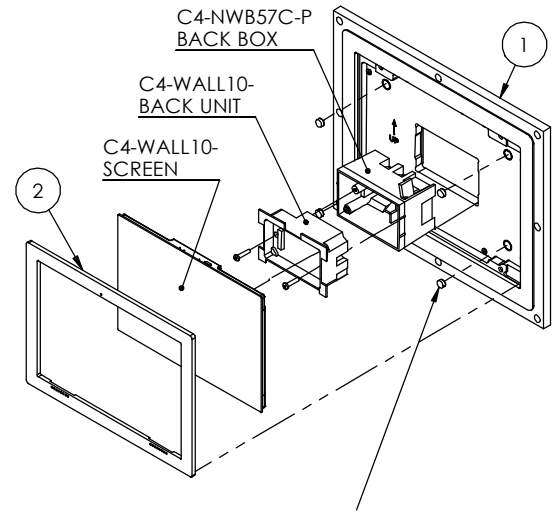
Key features and benefits:

- Flush with the wall.
- Paintable with the wall paint in any color and texture.
- Allows easy insertion and removal of the touch screen.
- The adapter is supplied unpainted (To be painted after installation as part of the wall).
- Designed to be installed in ½” drywall. Installation of the Wall-Smart adapter is straight-forward. Installation process is similar to drywall construction procedures. Before installation, read Wall-Smart installation instruction 10-04-00101-INS in <http://www.wall-smart.com/faq>
- For installation in concrete/block wall use “WS CONCRETE ADAPTOR FOR C4 T3 10”” P/N 10-01-289 (sold separately) according installation instruction 10-04-00103-INS in <http://www.wall-smart.com/faq>
- Designed for the use with C4-WALL10- touch screen (by Control4) (touch screen and back box not included).
- Adapter kit contains:

1. Wall adapter;
2. Bezel;

Key properties:

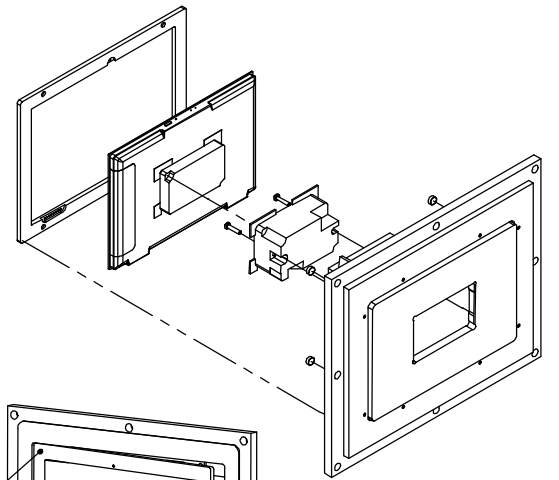
- Dimensions (W/H/D): 353mm (13.9")/ 288mm (11.34")/ 26.6mm (1.05")
- Power Supply: None (manual adapter).
- Weight: 1.1Kg, 2.42lbs.
- Material: Moisture resistant MDF
- To be installed in ½” drywall.



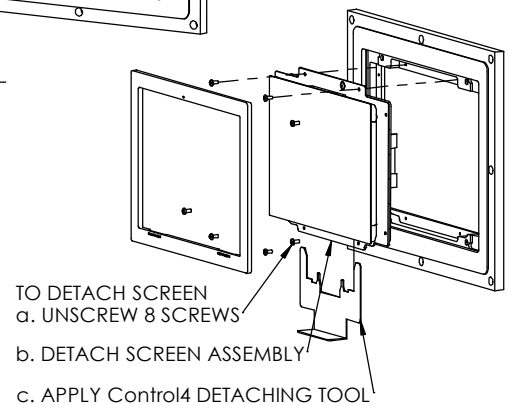
Attach 4 foam pads in the marked circles on the back wall. (Foam pads supplied by Control4 with the 10" touch screen Control4 P/N 180-00035-A).

Optionally, The foam pads may be attached to the back of the screen according Control4 "Installation Tips" 200-00420-A

Install screen according Control4 manual 200-00387-D



PUSH TWO BEZEL CORNERS TO OPEN



TO DETACH SCREEN

a. UNSCREW 8 SCREWS

b. DETACH SCREEN ASSEMBLY

c. APPLY Control4 DETACHING TOOL

