



Model: WS FOR PCS KPCW KEYPAD 2gang

Model No.: 10-01-266

Family: WALL-SMART

DWG NO. 10-04-266-SPC

PRODUCT SPEC.

REVISION A

DATE 17/Nov./2014



Make Your Wall Smart

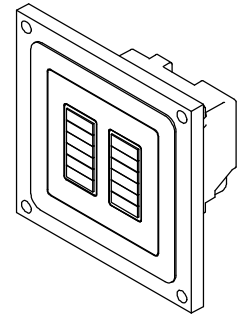
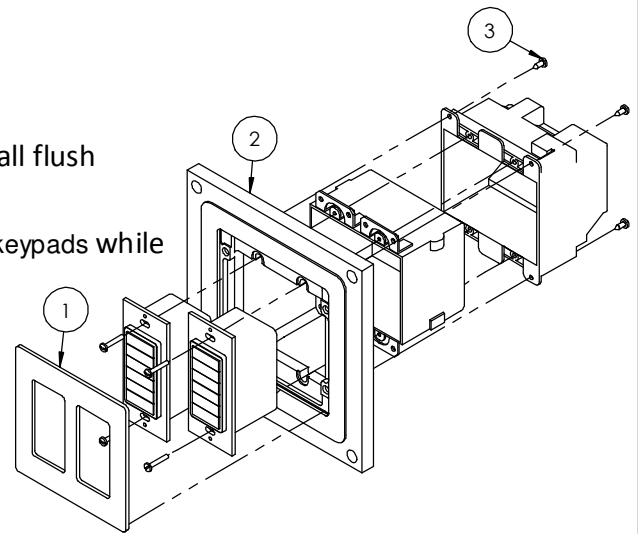
“WS FOR PCS KPCW KEYPAD 2gang” - Product description:

The “WS FOR PCS KPCW KEYPAD 2gang” is an adapter for in-wall flush installation of 2 PCS “Decora” style KPCW keypads.

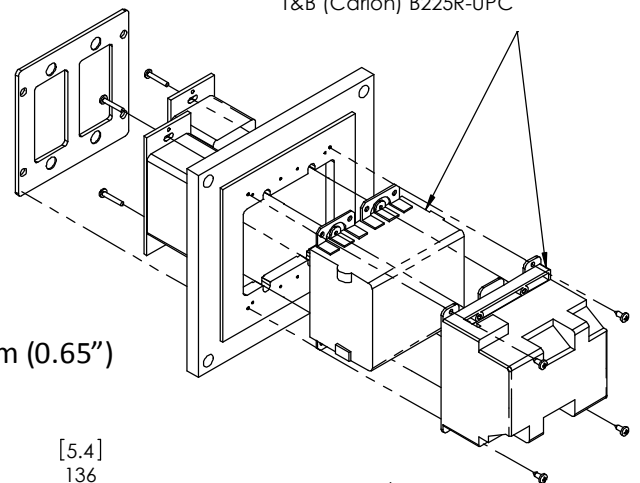
The “WS FOR PCS KPCW KEYPAD 2gang” securely mounts the keypads while allowing easy access, insertion and removal.

Key features and benefits:

- Flush with the wall.
- Paintable with the wall paint in any color and texture.
- Allows easy insertion and removal of the keypads by manual push and magnet detachment of the keypad bezel.
- The adapter is supplied unpainted (To be painted after installation as part of the wall).
- Designed to be installed in ½” drywall. Installation of the Wall-Smart adapter is straight-forward. Installation process is similar to drywall construction procedures. Before installation, read Wall-Smart installation instruction 10-04-00101-INS in <http://www.wall-smart.com/faq>
- For installation in concrete/block wall use “WS CONCRETE ADAPTOR FOR Decora Keypad 2GANG” P/N 10-01-254 (sold separately) according installation instruction 10-04-00103-INS in <http://www.wall-smart.com/faq>
- Designed for the use with PCS KPCW keypads (keypads not included).
- Adapter kit contains:
 - Wall adapter (item 2)
 - Keypad bezel (item 1)
 - (4x) ST3.5 Screws (item 3)



Use one of the following back boxes (or equivalent):
Hubbel-Raco BOX 420 2gang
T&B (Carlton) B225R-UPC



Key properties:

- Dimensions (W/H/D): 180mm (7.1")/ 180mm (7.1")/ 16.6mm (0.65")
- Power Supply: None (manual adapter).
- Weight: 0.283Kg, 0.62lbs.

