



Model: WS FACE PLATE FOR HQWA-W4SN

Family: WALL-SMART

DWG NO. 10-04-259-SPC

Model No.: 10-01-259

PRODUCT SPEC.

REVISION A

DATE 30/Nov./2014



### Make Your Wall Smart

#### WS FACEPLATE FOR HQWA-W4SN - Product description:

The "WS FACEPLATE FOR HQWA-W4SN" is a faceplate for in-wall flush installation of seeTouch® HQWA-W4SN Keypad in "WS US 1GANG WALL ADAPTOR" P/N 10-01-256.

The "WS FACEPLATE FOR HQWA-W4SN" securely mounts the keypad while allowing easy access, insertion and operation.

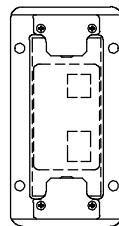
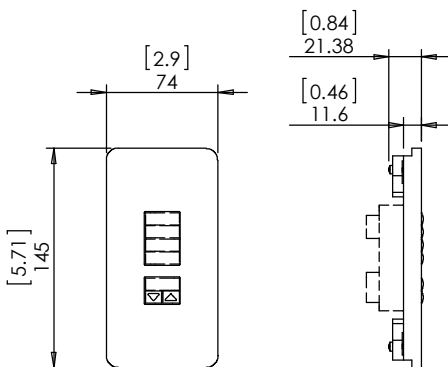
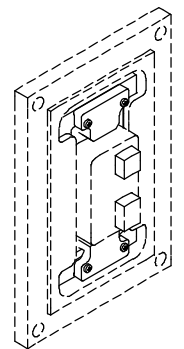
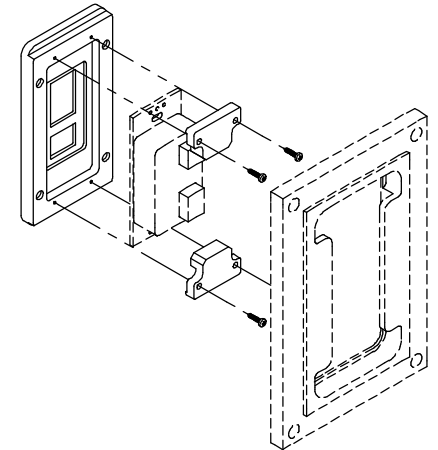
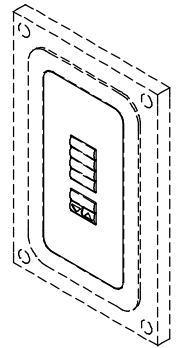
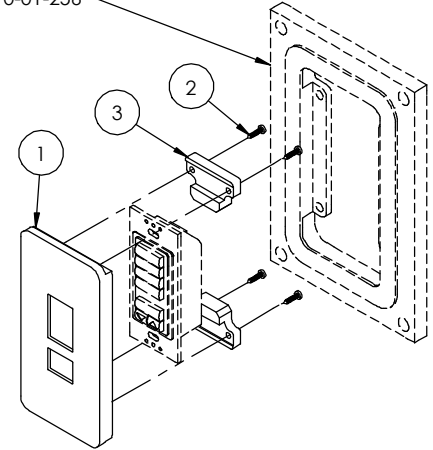
#### Key features and benefits:

- Flush with the wall.
- Designed to be installed in "WS US 1GANG WALL ADAPTOR" P/N 10-01-256
- Paintable with the wall paint in any color and texture.
- Allows easy insertion and removal of the keypad by manual push and magnet detachment of the faceplate.
- The faceplate is supplied unpainted (To be painted after installation as part of the wall).
- Designed for seeTouch® HQWA-W4SN Keypad (by Lutron®) (keypad not included).
- Adapter kit contains:
  1. Faceplate;
  2. (4x) ST2.9 Screw;
  3. (2x) Clips;

#### Key properties:

- Dimensions (W/H/D): 74mm (2.9")/ 145mm (5.71")/ 21.38mm (0.84")
- Power Supply: None (manual adapter).
- Weight: 0.1Kg, 0.22lbs.

WS US 1GANG WALL ADAPTOR  
P/N 10-01-256



PUSH TO OPEN

Design pat. pending

by Wall-Smart

www.wall-smart.com

UNLESS OTHERWISE SPECIFIED:  
DIMENSIONS ARE IN MILLIMETERS

Phone: (201) 205-2056 / info@wall-smart.com

INFORMATION CONTAINED HEREIN IS PROPRIETARY AND MAY NOT BE USED,  
REPRODUCED OR COPIED WITHOUT WRITTEN CONSENT OF WALL-SMART

SHEET 1/1