



Model: WS FOR PCS KPCW KEYPAD

Family: WALL-SMART

DWG NO. 10-04-229-SPC

Model No.: 10-01-229

PRODUCT SPEC.

REVISION A

DATE 17/nov./2014



Make Your Wall Smart

“WS FOR PCS KPCW KEYPAD” - Product description:

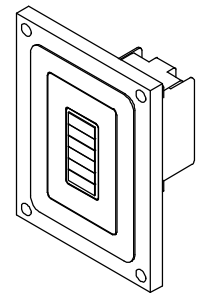
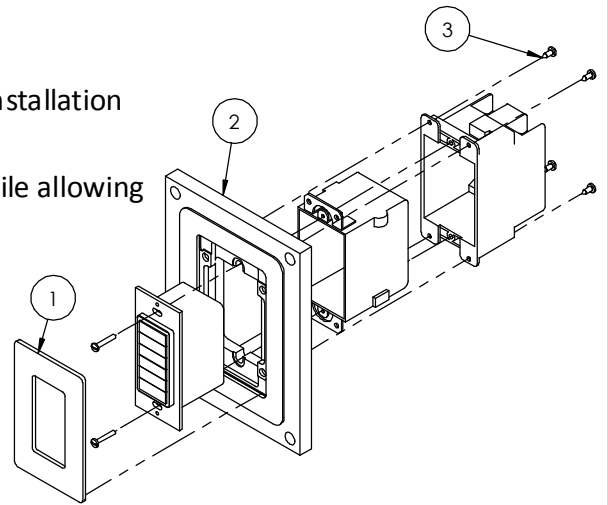
The “WS FOR PCS KPCW KEYPAD” is an adapter for in-wall flush installation of a PCS “Decora” style KPCW keypad.

The “WS FOR PCS KPCW KEYPAD” securely mounts the keypad while allowing easy access, insertion and removal.

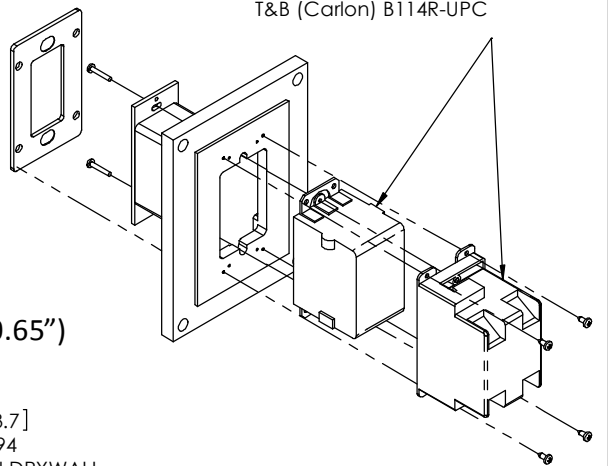
Key features and benefits:

- Flush with the wall.
- Paintable with the wall paint in any color and texture.
- Allows easy insertion and removal of the keypad by manual push and magnet detachment of the keypad tray.
- The adapter is supplied unpainted (To be painted after installation as part of the wall).
- Designed to be installed in ½” drywall. Installation of the Wall-Smart adapter is straight-forward. Installation process is similar to drywall construction procedures. Before installation, read Wall-Smart installation instruction 10-04-00101-INS in <http://www.wall-smart.com/faq>
- For installation in concrete/block wall use “WS CONCRETE ADAPTOR FOR Decora Keypad” P/N 10-01-253 (sold separately) according installation instruction 10-04-00103-INS in <http://www.wall-smart.com/faq>
- Designed for the use with PCS KPCW keypad. (keypad not included).
- Adapter kit contains:

- Wall adapter (item 2)
- Keypad bezel (item 1)
- (4x) ST3.5 Screws (item 3)

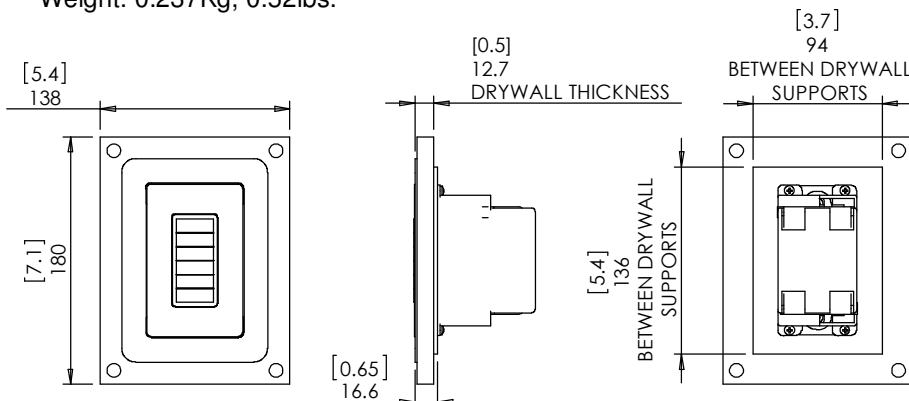


Use one of the following back boxes (or equivalent):
Hubbel-Raco BOX 420 1gang
T&B (Carlton) B114R-UPC



Key properties:

- Dimensions (W/H/D): 138mm (5.4")/ 180mm (7.1")/ 16.6mm (0.65")
- Power Supply: None (manual adapter).
- Weight: 0.237Kg, 0.52lbs.



PUSH TO REMOVE