



Model:  
WS for Dell Venue 11 Pro 10.8 - Hidden Lock

Family: WALL-SMART

DWG NO. 10-04-222-SPC

Model No.: 10-01-222

PRODUCT SPEC.

REVISION A

DATE 28/Sept./2014



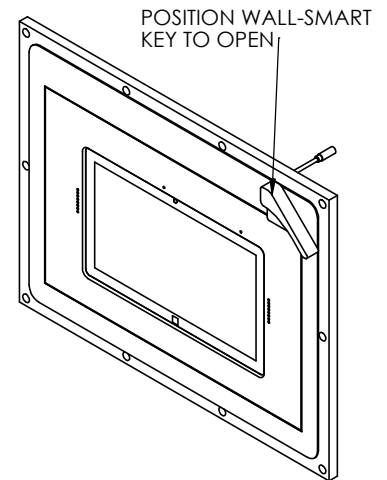
**Make Your Wall Smart**

**WS for Dell Venue 11 Pro 10.8 - Hidden Lock - Product description:**

The "WS for Dell Venue 11 Pro 10.8 - Hidden Lock" is an adapter for in-wall use of an Dell Venue 11 Pro 10.8 as a control device for Smart home/office/public institutes. The "WS for Dell Venue 11 Pro 10.8 - Hidden Lock" securely mounts the Dell Venue 11 Pro 10.8 while allowing easy access, insertion and removal.

**Key features and benefits:**

- Flush with the wall.
- Dell Venue 11 Pro 10.8 mounted horizontally (landscape position)
- The Dell Venue 11 logo touch button remains accessible.
- Paintable with the wall paint in any color and texture.
- Easy to operate. Electrically locked/unlocked by positioning of the Wall-Smart key over top right door corner (Wall-Smart key included). After unlocking, door manually opened to insert /remove the tablet.
- Standard colors of internal surfaces:
  - internal surfaces: black (custom colors available upon request)
  - External surfaces (front panel) are unpainted. To be painted after installation as part of the wall. The adapter is supplied with a paint masking plug.
- Dell Venue 11 Pro 10.8 Power supply via standard power cord connected to an external power source through the adapter back lid. (power supply and cord are not included)
- Electric lock power supply (12VDC, 0.28A) via power cord attached. (power supply not included)
- Designed to be installed in 1/2" drywall. Installation of the Wall-Smart adapter is straight-forward. Installation process is similar to drywall construction procedures. Before installation, read Wall-Smart installation instruction 10-04-00101-INS in <http://www.wall-smart.com/faq>
- Designed for the use with Dell Venue 11 Pro 10.8



**Key properties:**

- Dimensions (W/H/D): 463.6mm (18.3")/ 364mm (14.3")/ 48.3mm (1.9")
- Power Supply: 12VDC, 0.28.
- Weight: 3.5Kg, 7.7lbs

