



Model: WS for URC THZ100 W/O GRILL

Family: WALL-SMART

DWG NO. 10-04-217-SPC

Model No.: 10-01-217

PRODUCT SPEC.

REVISION A  
DATE 28/OCT./2014



### Make Your Wall Smart

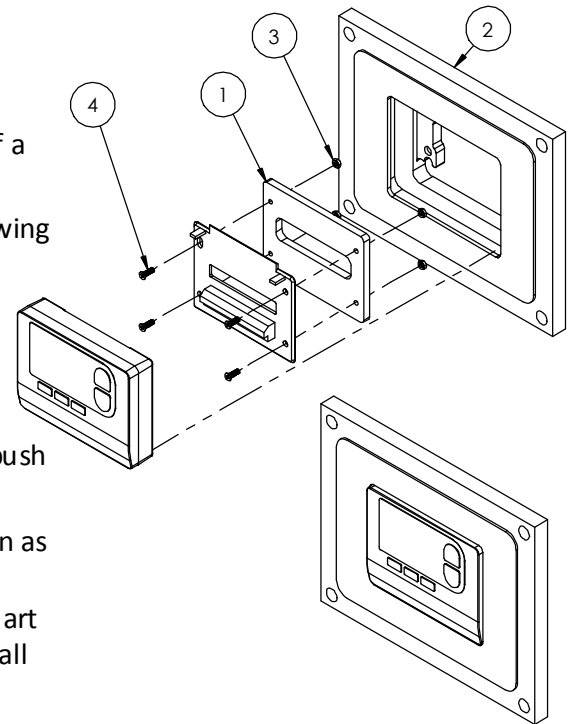
#### WS for URC THZ100 - Product description:

The "WS for URC THZ100" is an adapter for in-wall flush installation of a THZ100 thermostat.

The "WS for URC THZ100" securely mounts the thermostat while allowing easy insertion and removal.

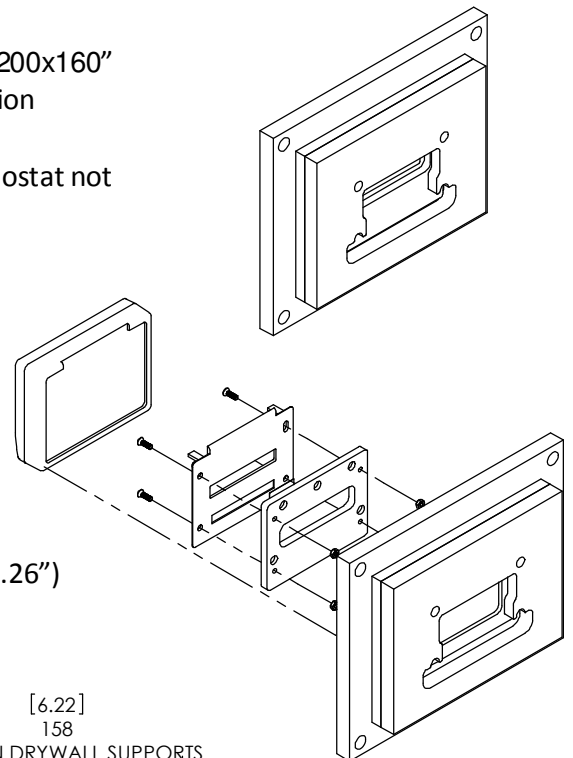
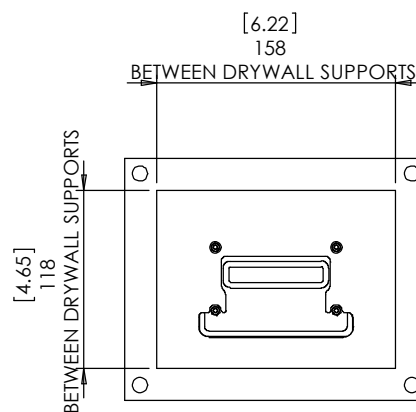
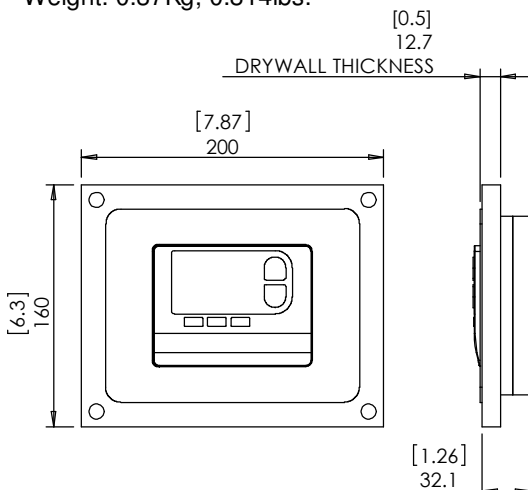
#### Key features and benefits:

- Paintable with the wall paint in any color and texture.
- Allows easy insertion and removal of the thermostat by manual push and magnet detachment of the thermostat.
- The adapter is supplied unpainted (To be painted after installation as part of the wall).
- Designed to be installed in 1/2" drywall. Installation of the Wall-Smart adapter is straight-forward. Installation process is similar to drywall construction procedures. Before installation, read Wall-Smart installation instruction 10-04-00101-INS in <http://www.wall-smart.com/faq>
- For installation in concrete/block wall use "WS Concrete Box 200x160" P/N 10-01-181 (sold separately) according installation instruction 10-04-00103-INS in <http://www.wall-smart.com/faq>
- Designed for the use with THZ100 thermostat (by URC) (thermostat not included).
- Adapter kit contains:
  - Wall adapter (item 2)
  - Keypad adapter (item 1)
  - (4x) M3 Screw (item 4)
  - (4x) M3 Nut (item 3)



#### Key properties:

- Dimensions (W/H/D): 200mm (7.87")/ 160mm (6.3")/ 32.1mm (1.26")
- Power Supply: None (manual adapter).
- Weight: 0.37Kg, 0.814lbs.



PUSH TO OPEN