



Model: WS for URC TKP-7000 TOUCHSCREEN

Family: WALL-SMART

DWG NO. 10-04-211-SPC

Model No.: 10-01-211

PRODUCT SPEC.

REVISION A

DATE 07/May/2014



Make Your Wall Smart

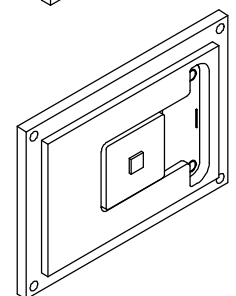
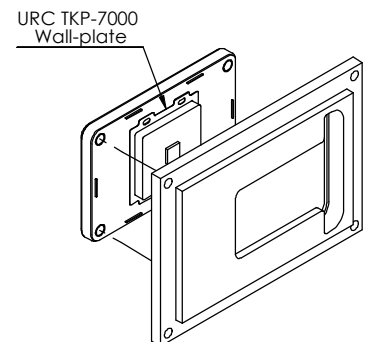
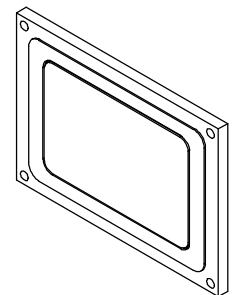
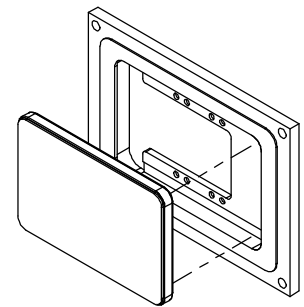
WS for URC TKP-7000 TOUCHSCREEN - Product description:

The "WS for URC TKP-7000 TOUCHSCREEN" is an adapter for in-wall flush installation of a TKP-7000 Touch Screen.

The "WS for URC TKP-7000 TOUCHSCREEN" securely mounts the touch screen while allowing easy access, insertion and removal.

Key features and benefits:

- Flush with the wall.
- Paintable with the wall paint in any color and texture.
- Allows easy insertion and removal of the keypad by manual push and magnet detachment of the Touch Screen tray.
- The adapter is supplied unpainted (To be painted after installation as part of the wall).
- Designed to be installed in 1/2" drywall. Installation of the Wall-Smart adapter is straight-forward. Installation process is similar to drywall construction procedures. Before installation, read Wall-Smart installation instruction 10-04-00101-INS in <http://www.wall-smart.com/faq>
- For installation in concrete/block wall use "WS Concrete Box 264x190" P/N 10-01-073 (sold separately) according installation instruction 10-04-00103-INS in <http://www.wall-smart.com/faq>
- Designed for the use with TKP-7000 Touch Screen (by Universal Remote Control, Inc.) (Touch Screen not included).



Key properties:

- Dimensions (W/H/D): 264mm (10.39")/ 190mm (7.48")/ 22mm (0.87")
- Power Supply: None (manual adapter).
- Weight: 0.38Kg, 0.84lbs.

