



Model: WS for AMX MSD-701 7"  
Modero S Series Touch Panel

Family: WALL-SMART

DWG NO. 10-04-204-SPC



Model No.: 10-01-204

PRODUCT SPEC.

REVISION A

DATE 30/Aug./2014

## Make Your Wall Smart

### WS for AMX MSD-701 7" Modero S Series Touch Panel - Product description:

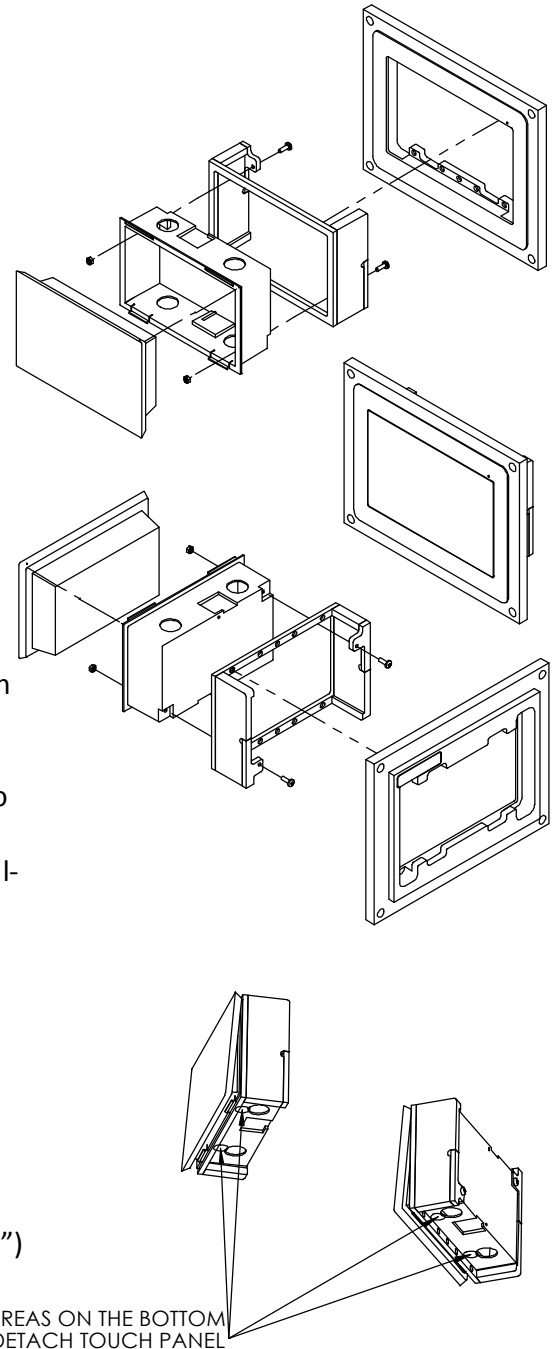
The "WS for AMX MSD-701 7" Modero S Series Touch Panel" is an adapter for in-wall flush installation of AMX MSD-701 touch panel. The "WS for AMX MSD-701 7" Modero S Series Touch Panel" securely mounts the touch panel while allowing easy access, insertion and removal.

### Key features and benefits:

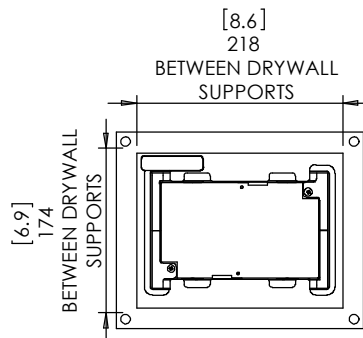
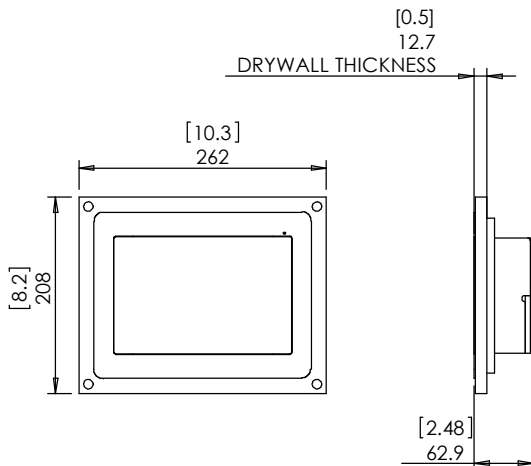
- Flush with the wall.
- Paintable with the wall paint in any color and texture.
- Allows easy insertion and removal of the touch panel by manual push and magnet detachment of the touch panel.
- The adapter is supplied unpainted (To be painted after installation as part of the wall).
- Designed to be installed in ½" drywall. Installation of the Wall-Smart adapter is straight-forward. Installation process is similar to drywall construction procedures. Before installation, read Wall-Smart installation instruction 10-04-00101-INS in <http://www.wall-smart.com/faq>
- For installation in concrete/block wall use "WS Concrete Box 262x208" P/N 10-01-132 (sold separately) according installation instruction 10-04-00103-INS in <http://www.wall-smart.com/faq>
- Designed for the use with MSD-701 touch panel by AMX (touch panel not included).

### Key properties:

- Dimensions (W/H/D): 262mm (10.3")/ 208mm (8.2")/ 62.9mm (2.48")
- Power Supply: None (manual adapter).
- Weight: 0.48Kg, 1.05lbs.



PUSH THESE AREAS ON THE BOTTOM OF THE BACK BOX TO DETACH TOUCH PANEL



PUSH TO REMOVE