



Model: WS for TP4 TOUCH PANEL

Model No.: 10-01-199

Family: WALL-SMART

DWG NO. 10-04-199-SPC

PRODUCT SPEC.

REVISION A

DATE 30/AUG./2015



### Make Your Wall Smart

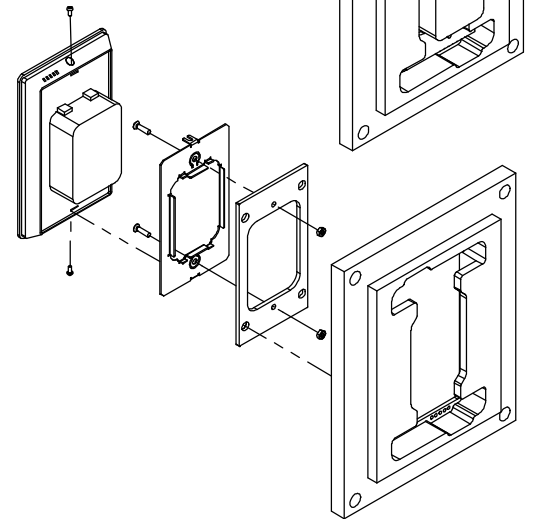
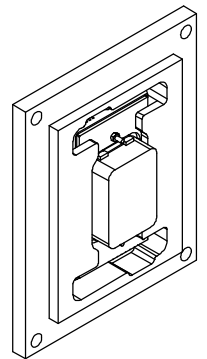
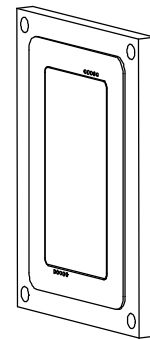
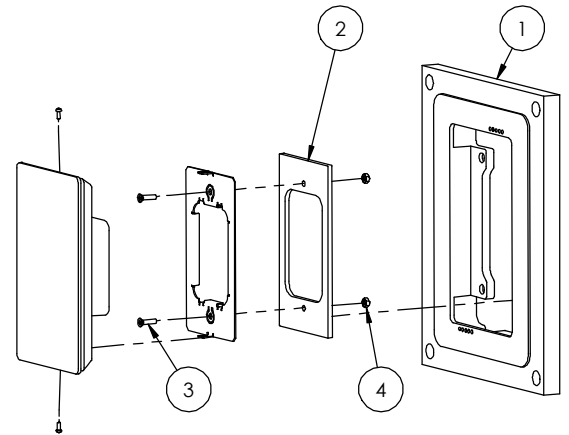
#### “WS for TP4 TOUCH PANEL” - Product description:

The “WS for TP4 TOUCH PANEL” is an adapter for in-wall flush installation of TP4 touch panel.

The “WS for TP4 TOUCH PANEL” securely mounts the touch panel while allowing easy access, insertion and operation.

#### Key features and benefits:

- Flush with the wall.
- Paintable with the wall paint in any color and texture.
- Allows easy insertion and removal of the touch panel.
- The adapter is supplied unpainted (To be painted after installation as part of the wall).
- Designed to be installed in 1/2" drywall. Installation of the Wall-Smart adapter is straight-forward. Installation process is similar to drywall construction procedures. Before installation, read Wall-Smart installation instruction 10-04-00101-INS in <http://www.wall-smart.com/faq>
- Designed for gTP4 (by ELAN), nTP4 (by NILES) and sTP4 (by SPEAKERCRAFT). (touch panel not included).
- Adapter kit contains:
  1. Wall adapter;
  2. Touch panel adapter;
  3. (X2) M3x12 screws
  4. (X2) M3 nuts



#### Key properties:

- Dimensions (W/H/D): 160mm (6.3")/ 200mm (7.87")/ 22mm (0.87")
- Power Supply: None (manual adapter).
- Weight: 0.28Kg, 0.62lbs.
- Material: Moisture resistant MDF
- To be installed in 1/2" drywall (for installation in 5/8" drywall use 1/8" shim pack P/N 10-01-067 (sold separately)).

