



Model: WS for Core Brands TP7

Family: WALL-SMART

DWG NO. 10-04-197-SPC

Model No.: 10-01-197

PRODUCT SPEC.

REVISION A

DATE 30/Aug./2014



### Make Your Wall Smart

#### WS for Core Brands TP7 - Product description:

The "WS for Core Brands TP7" is an adapter for in-wall flush installation of a Core Brands TP7 touch panel.

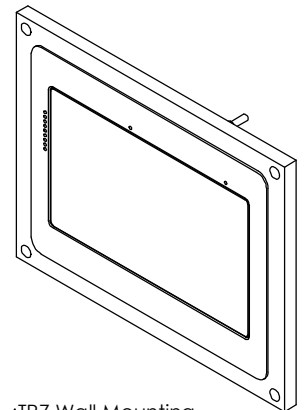
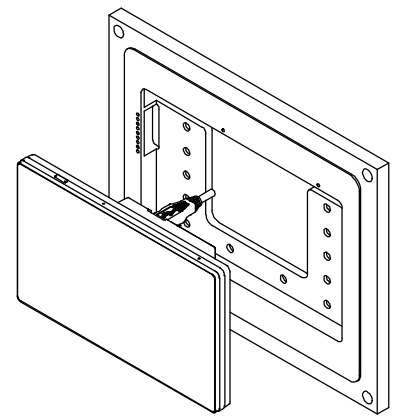
The "WS for Core Brands TP7" securely mounts the touch panel while allowing easy access, insertion and removal.

#### Key features and benefits:

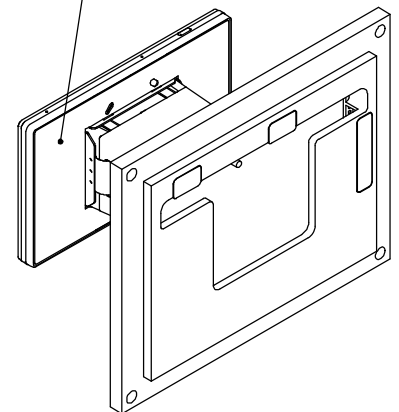
- Flush with the wall.
- Paintable with the wall paint in any color and texture.
- Allows easy insertion and removal of the touch panel by manual push and magnet detachment of the touch panel.
- The adapter is supplied unpainted (To be painted after installation as part of the wall).
- Designed to be installed in 1/2" drywall. Installation of the Wall-Smart adapter is straight-forward. Installation process is similar to drywall construction procedures. Before installation, read Wall-Smart installation instruction 10-04-00101-INS in <http://www.wall-smart.com/faq>
- For installation in concrete/block wall use "WS Concrete Box 276x218" P/N 10-01-131 (sold separately) according installation instruction 10-04-00103-INS in <http://www.wall-smart.com/faq>
- Designed for the use with TP7 touch panel by Core Brands (touch panel not included).

#### Key properties:

- Dimensions (W/H/D): 276mm (10.9")/ 218mm (8.6")/ 22mm (0.87")
- Power Supply: None (manual adapter).
- Weight: 0.49Kg, 1.08lbs.



TP7 Wall Mounting Plate attached



PUSH TO REMOVE

