



Model: WS for C2N-CBF+ASCENT 5/8"

Family: WALL-SMART

DWG NO. 10-04-178-SPC

Model No.: 10-01-178

PRODUCT SPEC.

REVISION A

DATE 01/May/2014

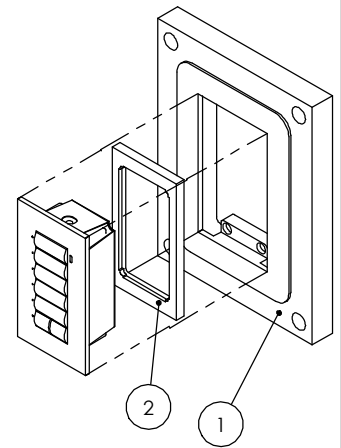


Make Your Wall Smart

Wall-Smart for C2N-CBF-P+ASCENT KEYPAD - Product description:

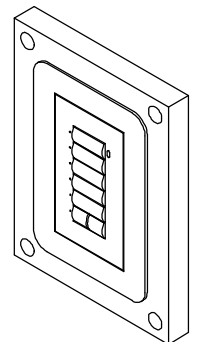
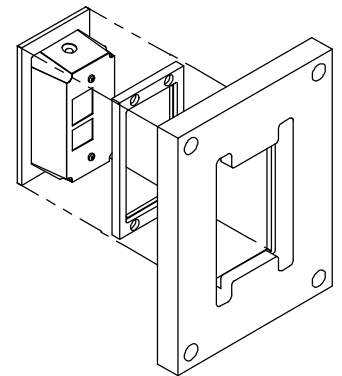
The Wall-Smart for C2N-CBF-P+ASCENT is an adapter for in-wall flush installation of a C2N-CBF-P+ASCENT keypad.

The Wall-Smart for C2N-CBF-P+ASCENT keypad securely mounts the keypad while allowing easy access, insertion and exertion.



Key features and benefits:

- Flush with the wall.
- Paintable with the wall paint in any color and texture.
- Allows easy insertion and exertion of the keypad by manual push and magnet detachment of the keypad tray.
- The adapter is supplied unpainted (To be painted after installation as part of the wall).
- Designed to be installed in 5.8" drywall. Installation of the Wall-Smart adapter is straight-forward. Installation process is similar to drywall construction procedures. Before installation, read Wall-Smart installation instruction 10-04-00101-INS in <http://www.wall-smart.com/faq>
- Designed for the use with C2N-CBF-P+ASCENT keypad (by CRESTRON ©) (keypad not included).
- Adapter kit contains:
 1. Wall adapter;
 2. Keypad adapter;



Key properties:

- Dimensions (W/H/D): 116mm (4.6")/ 154mm (6.05")/ 16.6mm (0.65")
- Power Supply: None (manual adapter).
- Weight: 0.39Kg, 0.86lbs.

