



Model: WS for RTI KX2 In-Wall Controller

Family: WALL-SMART

DWG NO. 10-04-158-SPC

Model No.: 10-01-158

PRODUCT SPEC.

REVISION A

DATE 07/May/2014



Make Your Wall Smart

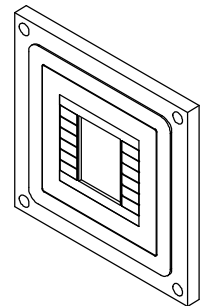
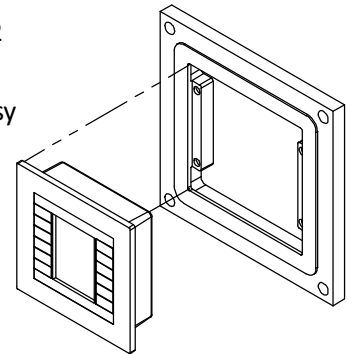
WS for RTI KX2 In-Wall Controller - Product description:

The "WS for RTI KX2 In-Wall Controller" is an adapter for in-wall flush installation of a KX2 controller.

The "WS for RTI KX2 In-Wall Controller" securely mounts the controller while allowing easy access, insertion and removal.

Key features and benefits:

- Flush with the wall.
- Paintable with the wall paint in any color and texture.
- Allows easy insertion and exertion of the keypad by manual push and magnet detachment of the keypad tray.
- The adapter is supplied unpainted (To be painted after installation as part of the wall).
- Designed to be installed in 1/2" drywall. Installation of the Wall-Smart adapter is straight-forward. Installation process is similar to drywall construction procedures. Before installation, read Wall-Smart installation instruction 10-04-00101-INS in <http://www.wall-smart.com/faq>
- For installation in concrete/block wall use "WS Concerte Box 178x178" P/N 10-01-159 (sold separately) according installation instruction 10-04-00103-INS in <http://www.wall-smart.com/faq>
- Designed for KX2 In-Wall Controller by RTI (Controller not included)



Key properties:

- Dimensions (W/H/D): 178mm (7")/ 173.1mm (6.8")/ 16.6mm (0.65")
- Power Supply: None (manual adapter).
- Weight: 0.19Kg, 0.42lbs

