



Model: WS Concerte Box 176x135

Family: WALL-SMART

DWG NO. 10-04-137-SPC

Model No.: 10-01-137

PRODUCT SPEC.

REVISION B

DATE Apr./29/2014



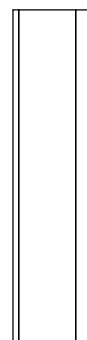
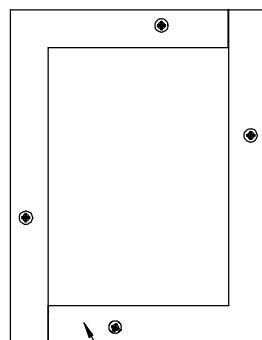
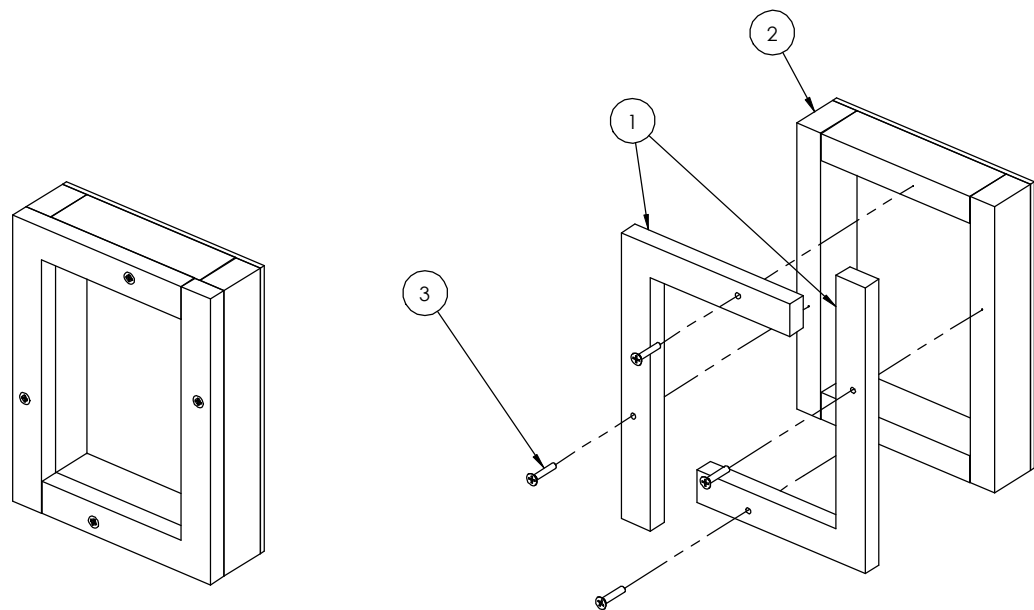
Make Your Wall Smart

Wall-Smart concrete/block installation box:

- Designed to support Wall-Smart wall mounts in concrete/block walls.
- Wall should be plastered up to the front frame segments (item #1).
- Front frame segments (item #1) should be removed after the wall was plastered (to be replaced with the adapter).
- **For low voltage use only.**
- Before installation, read Wall-smart installation instruction No. 10-01-00103-INS

Key properties:

- Material: MOISTURE RESISTANT MDF
- Dimensions (W/H/D): 135.6mm (5.33")/ 176.5mm (6.94")/ 44.8mm (1.76")
- Weight: 0.4Kg, 0.88lb.



PLASTER UP TO THIS SURFACE