



Model: WS CONCRETE ADAPTOR FOR  
Euro Module 2GANG PFP

Family: WALL-SMART

DWG NO. 10-04-129-SPC

Model No.: 10-01-129

PRODUCT SPEC.

REVISION C

DATE 30/Sept./2014



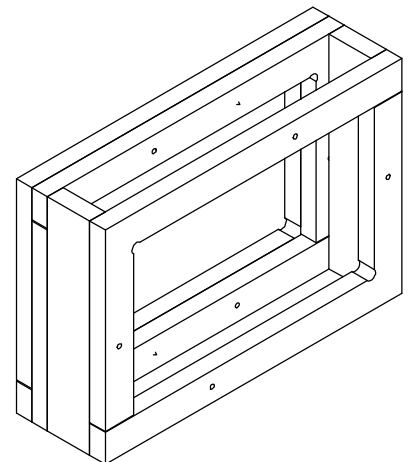
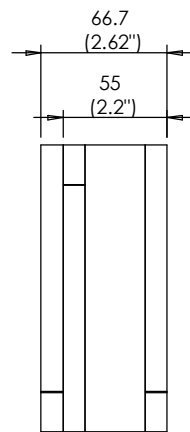
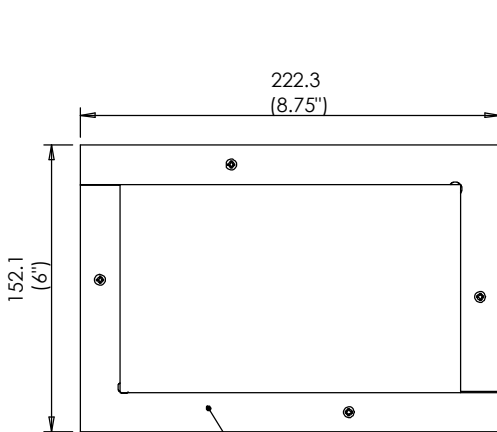
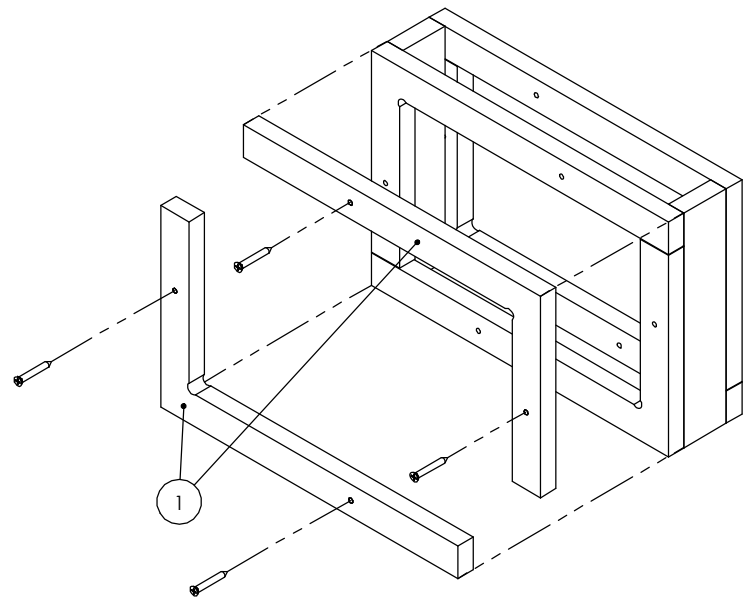
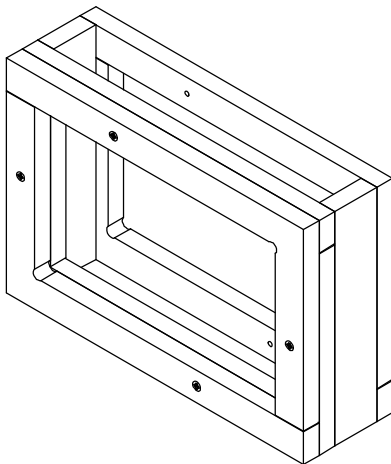
## Make Your Wall Smart

### WS CONCRETE ADAPTOR FOR Euro Module 2GANG PFP:

- Designed to support WS FOR Euro Module 2Gang PFP P/N 10-01-086 in concrete/brick walls.
- Wall should be plastered up to the front frame segments (item #1).
- Front frame segments (item #1) should be removed after the wall was plastered (to be replaced with the adaptor).

### Key properties:

- Material: MOISTURE RESISTANT MDF
- Dimensions (W/H/D): 222mm (8.75")/ 152mm (6")/ 66.7mm (2.62")
- Weight: 0.6Kg, (1.3lbs)



PLASTER WALL UP TO THIS SURFACE