



Model: WS FOR C-Bus™ DLT™ Keypad

Family: WALL-SMART

DWG NO. 10-04-126-SPC

Model No.: 10-01-126

PRODUCT SPEC.

REVISION A

DATE 30/Oct./2013



### Make Your Wall Smart

### Wall-Smart for C-Bus™ DLT™ Keypad Product description:

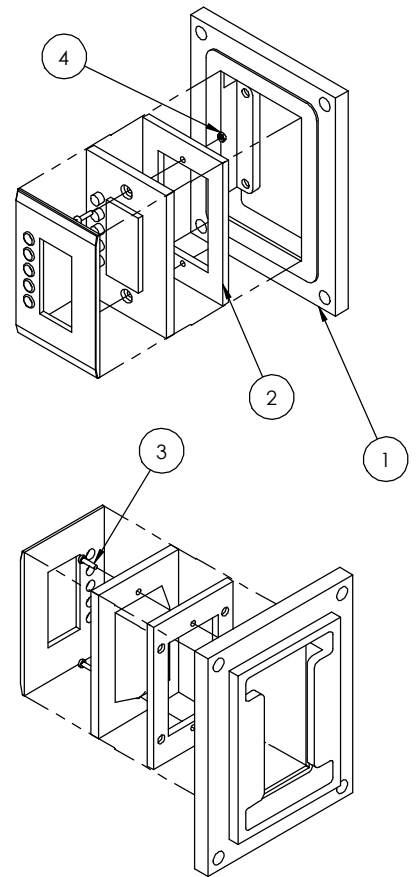
The Wall-Smart for C-Bus™ DLT™ Keypad is an adapter for in-wall flush installation of a C-Bus™ DLT™ Keypad.

The Wall-Smart for C-Bus™ DLT™ Keypad securely mounts the keypad while allowing easy access, insertion and removal.

### Key features and benefits:

- Flush with the wall.
- Paintable with the wall paint in any color and texture.
- Allows easy insertion and removal of the keypad by manual push and magnet detachment of the keypad tray.
- The adapter is supplied unpainted (To be painted after installation as part of the wall).
- Installation of the Wall-Smart adapter is straight-forward. Installation process is similar to drywall construction procedures.
- Designed for the use with C-Bus™ DLT™ Keypad (by CLIPSAL© or Schneider Electric) (keypad and back box not included).
- Adapter kit contains:

1. Wall adapter;
2. Keypad adapter;
3. (2x) ST2.9 Screw;
4. (2x) M3 Screw;
5. (2x) M3 Nut;



### Key properties:

- Dimensions (W/H/D): 136mm (5.3")/ 177mm (6.95")/ 22mm (0.85")
- Power Supply: None (manual adapter).
- Weight: 0.25Kg, 0.55pounds.
- To be installed in 1/2" drywall.

